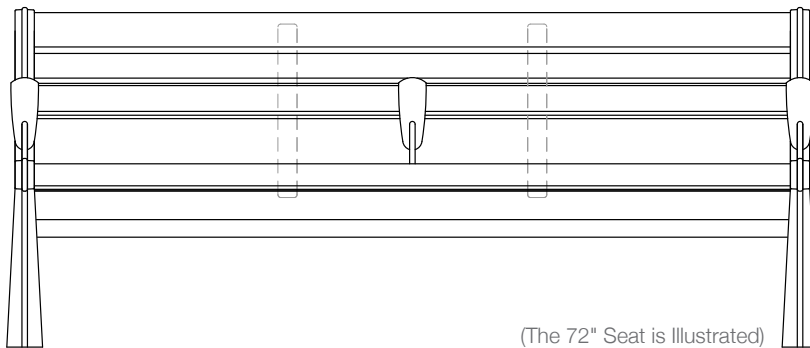
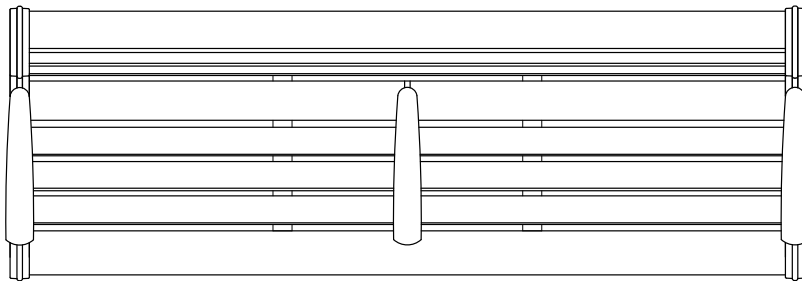
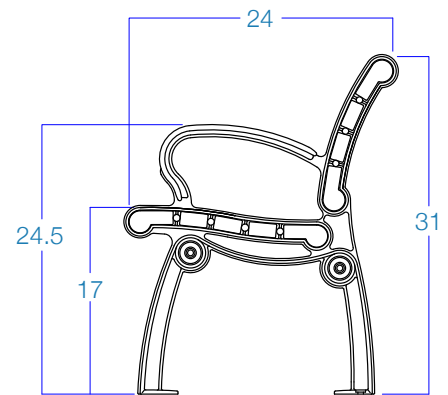




VictoriaSeries | Seat



(The 72" Seat is Illustrated)



Specification Options *Asterisk categories must be selected

- | | |
|---|---|
| * Powder Coat Colors | <input type="checkbox"/> Brown |
| <input type="checkbox"/> Standard Gloss | <input type="checkbox"/> Green |
| <input type="checkbox"/> Standard Matte | <input type="checkbox"/> Charcoal |
| <input type="checkbox"/> Custom Color | <input type="checkbox"/> Black |
| | <input type="checkbox"/> Red |
| * HDPE Colors | <input type="checkbox"/> Gray |
| <input type="checkbox"/> Custom | <input type="checkbox"/> Cedar |
| | <input type="checkbox"/> Weathered |
| * Length Options | <input type="checkbox"/> 48" - VIC.SE.048 |
| <input type="checkbox"/> Custom (Max. 96" Span) | <input type="checkbox"/> 60" - VIC.SE.060 (1 CA) |
| <input type="checkbox"/> Link Kit -96,120,144,192 | <input type="checkbox"/> 72" - VIC.SE.072 (1 CA) |
| | <input type="checkbox"/> 96" - VIC.SE.096 (2 CA) |
| Center Arm Kit | <input type="checkbox"/> 9880 - <input type="checkbox"/> 1 <input type="checkbox"/> 2 |
| Seat Link Kit | <input type="checkbox"/> Seat Link Kit |
| Surface Mount Hardware | <input type="checkbox"/> 9300-004-INST |

March 2012 v12.3 Fahnstrom/White Design