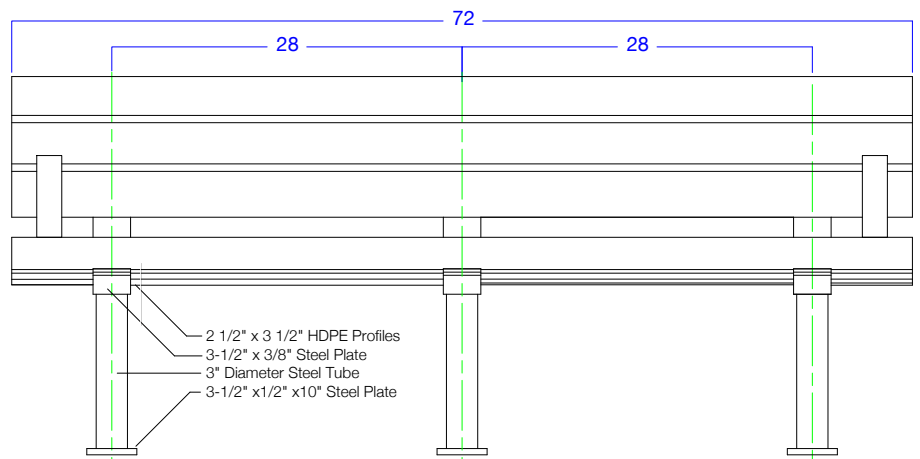
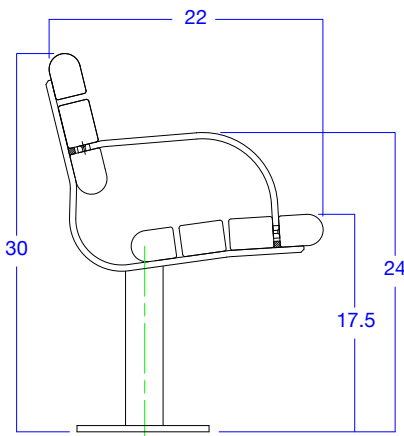
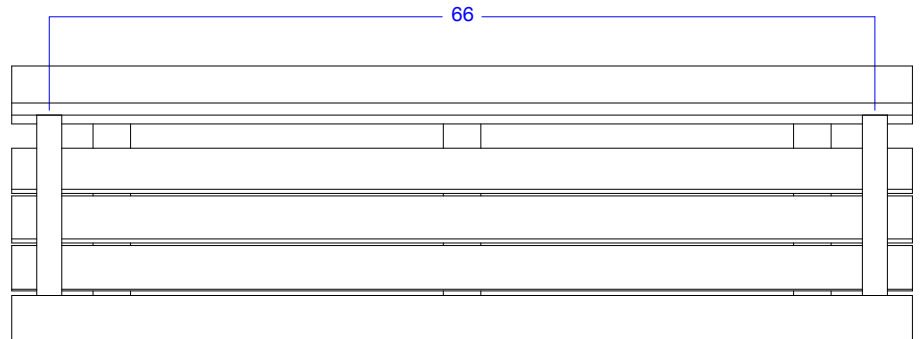


ParkSeries | Contour Seat / Arm and Armless

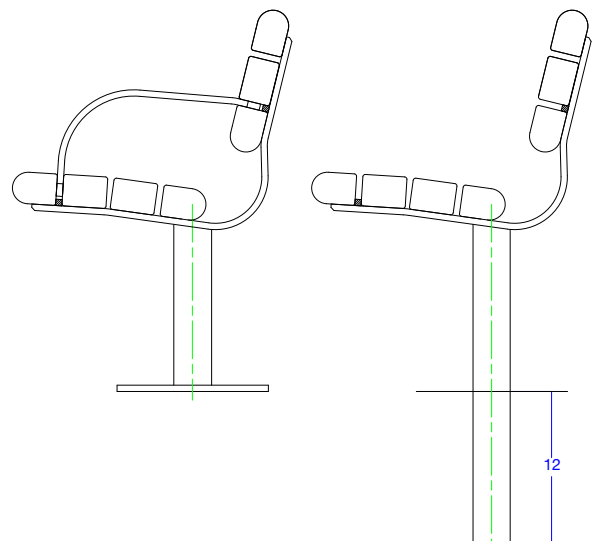


Specification Options *Asterisk categories must be selected

- | | |
|---------------------------------------------------|------------------------------------------------------------------------------------------------------------------|
| * Powder Coat Colors | |
| <input type="checkbox"/> Standard Gloss | <input type="checkbox"/> Brown |
| <input type="checkbox"/> Standard Matte | <input type="checkbox"/> Green |
| <input type="checkbox"/> Custom/Specify | <input type="checkbox"/> Charcoal |
| | <input type="checkbox"/> Black |
| | <input type="checkbox"/> Red |
| * HDPE Colors | |
| <input type="checkbox"/> Custom/Specify | <input type="checkbox"/> Gray |
| | <input type="checkbox"/> Cedar |
| | <input type="checkbox"/> Weathered |
| * Length Options-w/Arms | |
| <input type="checkbox"/> 60" - PAR.CON.SE.060.ARM | |
| <input type="checkbox"/> 72" - PAR.CON.SE.072.ARM | |
| <input type="checkbox"/> 96" - PAR.CON.SE.096.ARM | |
| * Length Options-Armless | |
| <input type="checkbox"/> Custom Length/Specify | <input type="checkbox"/> 60" - PAR.CON.SE.060 |
| <i>120" Seat has 4 Supports</i> | <input type="checkbox"/> 72" - PAR.CON.SE.072 |
| | <input type="checkbox"/> 96" - PAR.CON.SE.096 |
| Contour Center Arm Kit | <input type="checkbox"/> 9944 - 1 <input type="checkbox"/> 2 <input type="checkbox"/> 3 <input type="checkbox"/> |
| Surface Installation Kit | <input type="checkbox"/> 9300-004-INST |

Contour/Arm/Surface Mount

Contour/Armless/Embedded



March 2012 v10.3 Fahmstrom/White Design