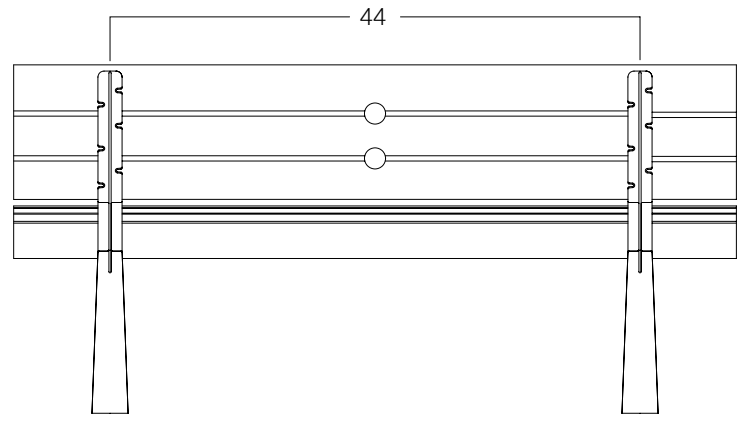
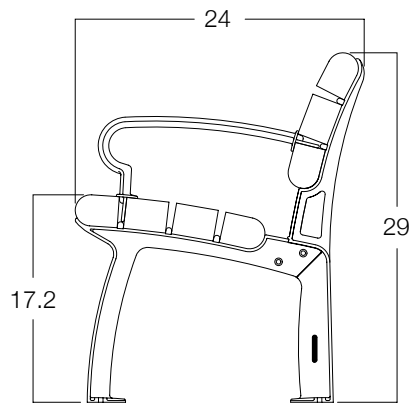
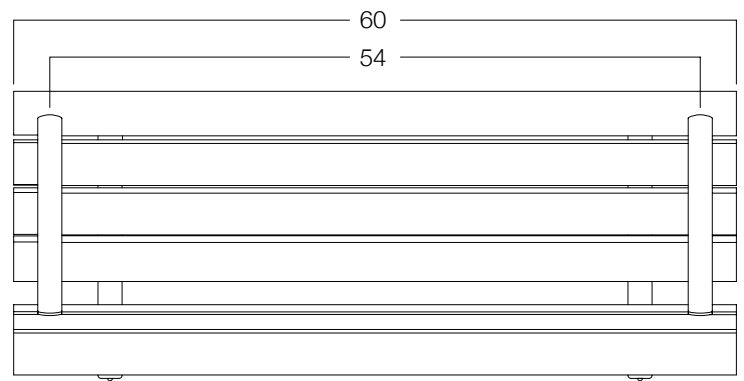


CitySeries | Seat



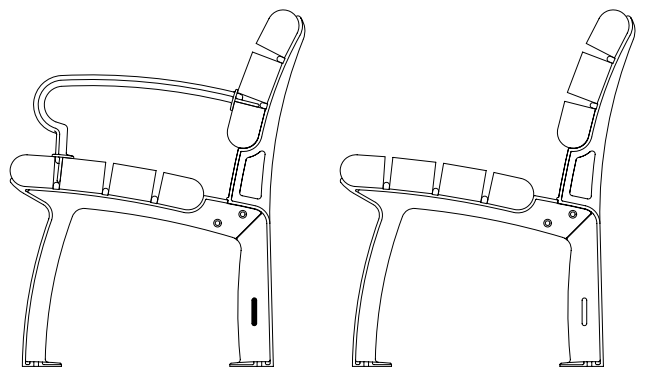
**Specification Options**

- |   |                                   |
|---|-----------------------------------|
| Powder Coat Colors                      | <input type="checkbox"/> Brown    |
| <input type="checkbox"/> Standard Gloss | <input type="checkbox"/> Green    |
| <input type="checkbox"/> Standard Matte | <input type="checkbox"/> Charcoal |
| <input type="checkbox"/> Custom         | <input type="checkbox"/> Black    |
|   | <input type="checkbox"/> Red      |

- |                                 |                                    |
|---------------------------------|------------------------------------|
| HDPE Colors                     | <input type="checkbox"/> Gray      |
| <input type="checkbox"/> Custom | <input type="checkbox"/> Cedar     |
|                                 | <input type="checkbox"/> Weathered |

- |                                 |   |
|---------------------------------|---|
| Length Options                  | <input type="checkbox"/> 60" - CIT.SE.060.SM.ARMS |
| <input type="checkbox"/> Custom | <input type="checkbox"/> 72" - CIT.SE.072.SM.ARMS |
| (3 supports on 72" & 96" seats) | <input type="checkbox"/> 96" - CIT.SE.096.SM.ARMS |
|                                 | <input type="checkbox"/> 60" - CIT.SE.060.SM      |
|                                 | <input type="checkbox"/> 72" - CIT.SE.072.SM      |
|                                 | <input type="checkbox"/> 96" - CIT.SE.096.SM      |

- |                             |   |
|-----------------------------|---|
| Independent Arms (Specify)  | <input type="checkbox"/> 9997 - <input type="checkbox"/> 1 <input type="checkbox"/> 2 <input type="checkbox"/> 3 <input type="checkbox"/> 4 |
| Surface Installation (Only) | <input type="checkbox"/> 9300-004-INST-Kit  |



March 2012 v12.3 Fahnstrom/White Design