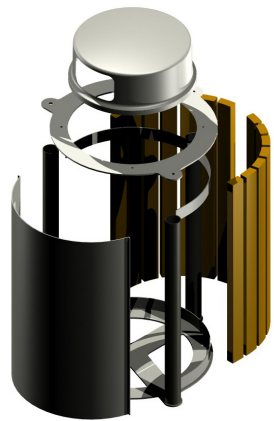




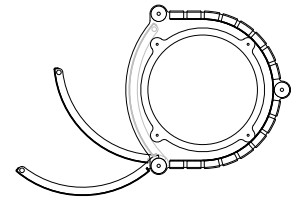
## PlaneSeries | Outline Trash Receptacle



Trash Receptacle is shipped KD to be assembled on site. Door assembly is complete and top element is installed in top plate. Vertical tubes provide door pivot and basic structure. Slats are pre-drilled. Liner is required.



Side view showing slats



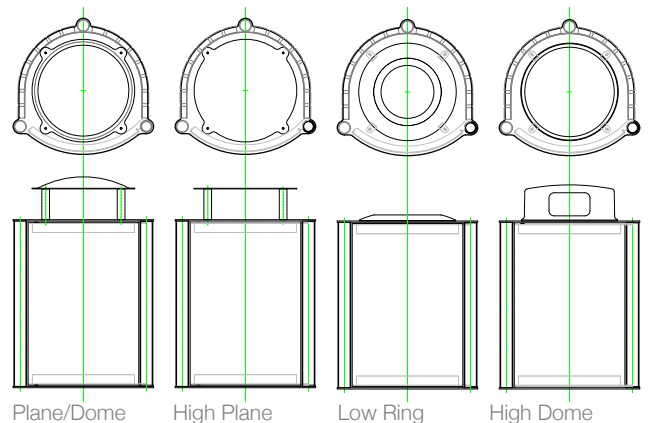
High Dome



Front view showing door

### Specification Options

Fabrication	<input type="checkbox"/> Steel <input type="checkbox"/> Stainless Steel <input type="checkbox"/> Aluminum
Powder Coat Colors	<input type="checkbox"/> Brown <input type="checkbox"/> Green <input type="checkbox"/> Charcoal <input type="checkbox"/> Black <input type="checkbox"/> Red
HDPE Colors	<input type="checkbox"/> Gray <input type="checkbox"/> Cedar <input type="checkbox"/> Weathered
Capacity	<input type="checkbox"/> 32G
Plastic Liner	<input type="checkbox"/> 32G - 9809L (Liner)
Top Cover Option	<input type="checkbox"/> Plane/Dome <input type="checkbox"/> High Plane <input type="checkbox"/> Low Ring <input type="checkbox"/> High Dome
Installation Option	<input type="checkbox"/> Surface <input type="checkbox"/> Embedded



November 2011 v11.1 Fahnstrom/White Design