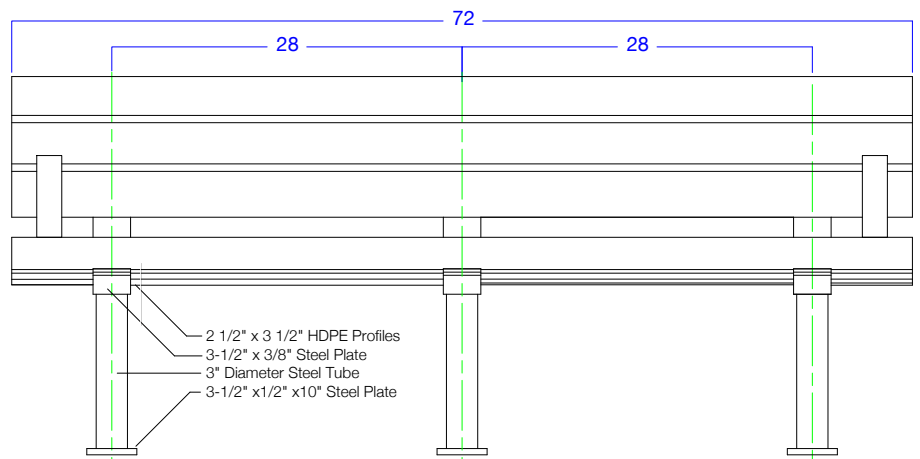
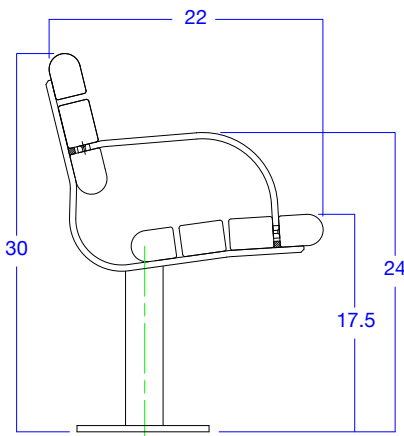
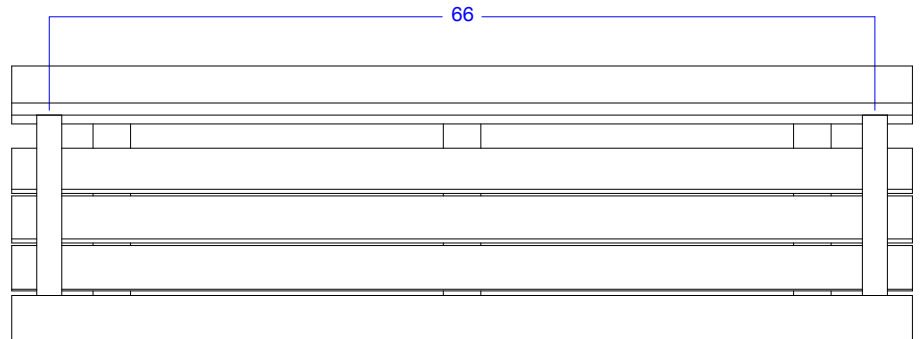


ParkSeries | Contour Seat / Arm and Armless

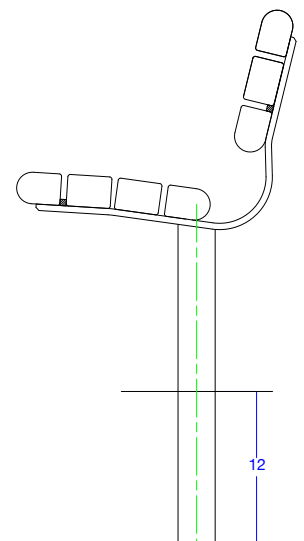
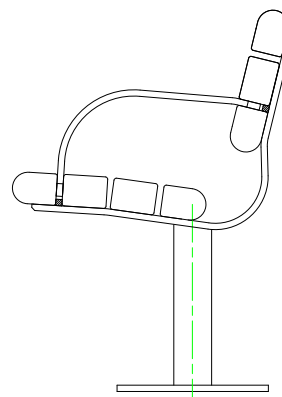


Specification Options *Asterisk categories must be selected

- | | |
|---|--|
| * Powder Coat Colors | |
| <input type="checkbox"/> Standard Gloss | <input type="checkbox"/> Brown |
| <input type="checkbox"/> Standard Matte | <input type="checkbox"/> Green |
| <input type="checkbox"/> Custom/Specify | <input type="checkbox"/> Charcoal |
| | <input type="checkbox"/> Black |
| | <input type="checkbox"/> Red |
| * HDPE Colors | |
| <input type="checkbox"/> Custom/Specify | <input type="checkbox"/> Gray |
| | <input type="checkbox"/> Cedar |
| | <input type="checkbox"/> Weathered |
| * Length Options-w/Arms | |
| <input type="checkbox"/> 60" - PAR.CON.SE.060.ARM | |
| <input type="checkbox"/> 72" - PAR.CON.SE.072.ARM | |
| <input type="checkbox"/> 96" - PAR.CON.SE.096.ARM | |
| * Length Options-Armless | |
| <input type="checkbox"/> Custom Length/Specify | <input type="checkbox"/> 60" - PAR.CON.SE.060 |
| <i>120" Seat has 4 Supports</i> | <input type="checkbox"/> 72" - PAR.CON.SE.072 |
| | <input type="checkbox"/> 96" - PAR.CON.SE.096 |
| Contour Center Arm Kit | <input type="checkbox"/> 9944 - 1 <input type="checkbox"/> 2 <input type="checkbox"/> 3 <input type="checkbox"/> |
| Surface Installation Kit | <input type="checkbox"/> 9300-004-INST |

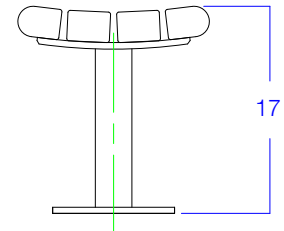
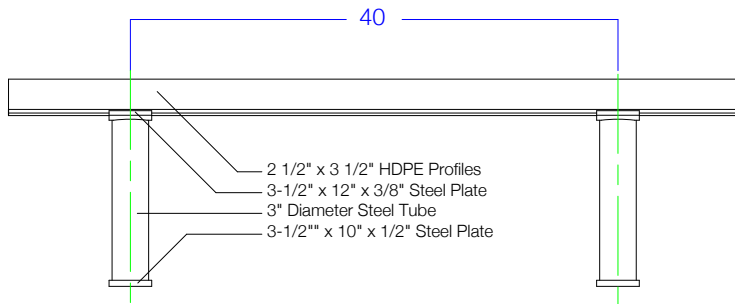
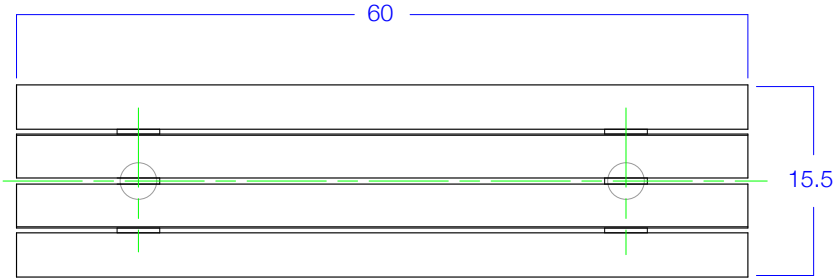
Contour/Arm/Surface Mount

Contour/Armless/Embedded



March 2012 v10.3 Fahmstrom/White Design

ParkSeries | Flat/Contour Bench



Specification Options **Asterisk categories must be selected*

* Powder Coat Colors

- | | |
|---|-----------------------------------|
| <input type="checkbox"/> Standard Gloss | <input type="checkbox"/> Brown |
| <input type="checkbox"/> Standard Matte | <input type="checkbox"/> Green |
| <input type="checkbox"/> Custom/Specify | <input type="checkbox"/> Charcoal |
| | <input type="checkbox"/> Black |
| | <input type="checkbox"/> Red |

* HDPE Colors

- | | |
|---|------------------------------------|
| <input type="checkbox"/> Custom/Specify | <input type="checkbox"/> Gray |
| | <input type="checkbox"/> Cedar |
| | <input type="checkbox"/> Weathered |

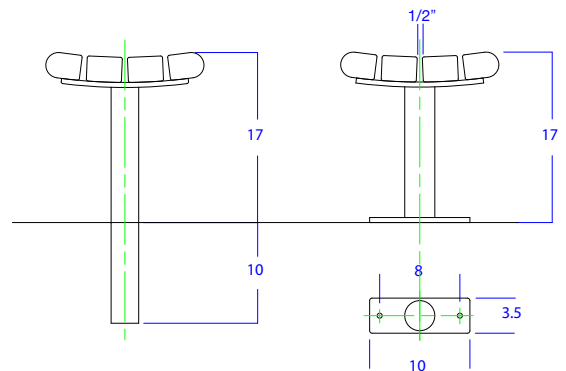
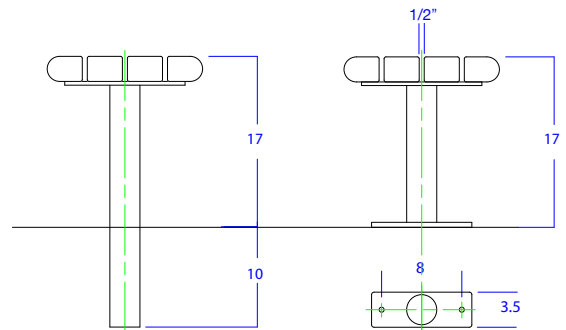
* Length Options/Flat Bench

- | |
|---|
| <input type="checkbox"/> 60" - PAR.FLA.BE.060 |
| <input type="checkbox"/> 72" - PAR.FLA.BE.072 |
| <input type="checkbox"/> 96" - PAR.FLA.BE.096 |

* Length Options/Contour Bench

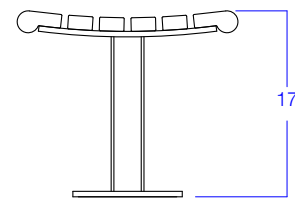
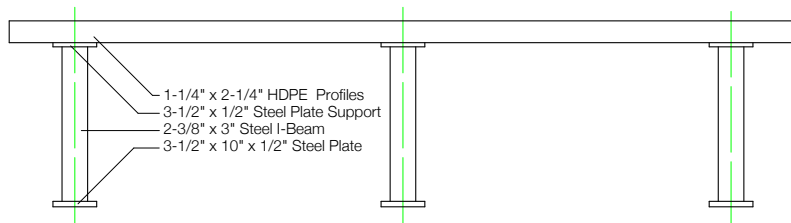
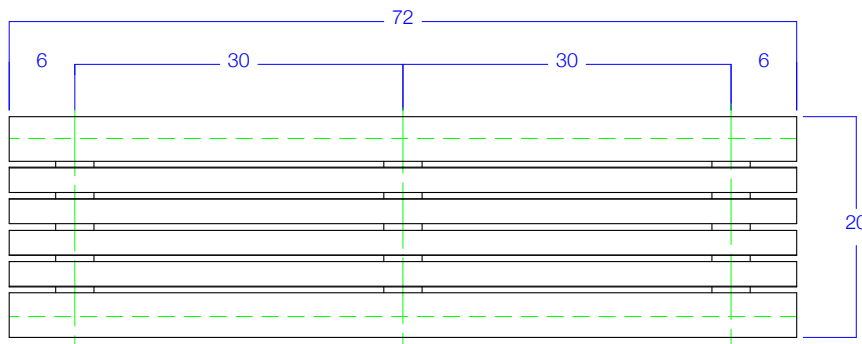
- | |
|---|
| <input type="checkbox"/> 60" - PAR.CON.BE.060 |
| <input type="checkbox"/> 72" - PAR.CON.BE.072 |
| <input type="checkbox"/> 96" - PAR.CON.BE.096 |

- | | |
|-----------------------------|--|
| Sleep Stopper Kit (Contour) | <input type="checkbox"/> 9940 - 1 <input type="checkbox"/> 2 <input type="checkbox"/> 3 <input type="checkbox"/> |
| Sleep Stopper Kit (Flat) | <input type="checkbox"/> 9940 - 1 <input type="checkbox"/> 2 <input type="checkbox"/> 3 <input type="checkbox"/> |
| Surface Installation Kit | <input type="checkbox"/> 9300-004-INST |



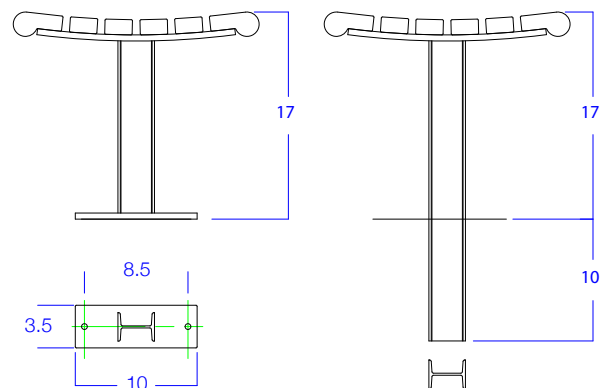


ParkSeries | Teardrop Bench

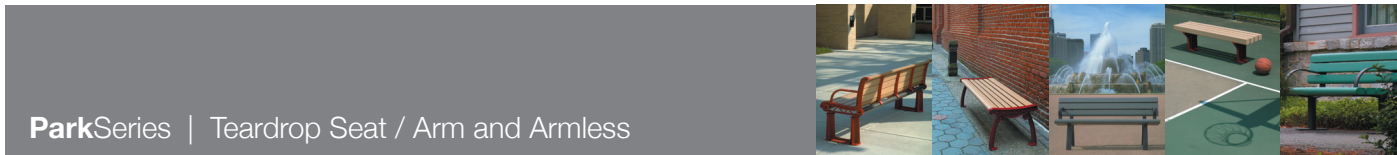


Specification Options *Asterisk categories must be selected

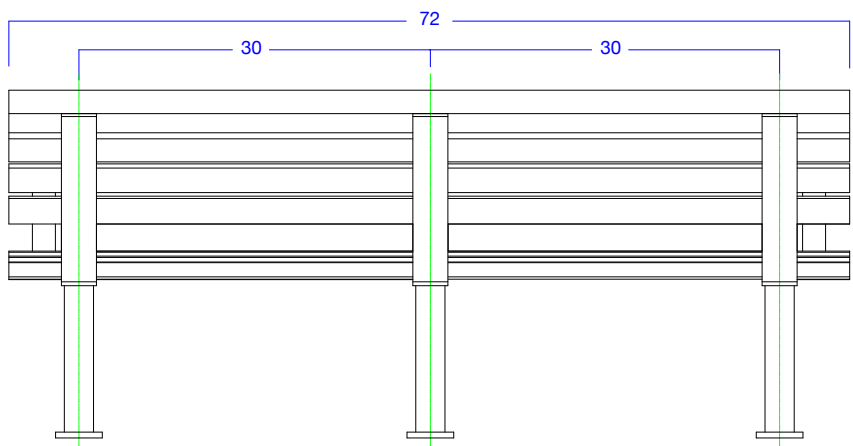
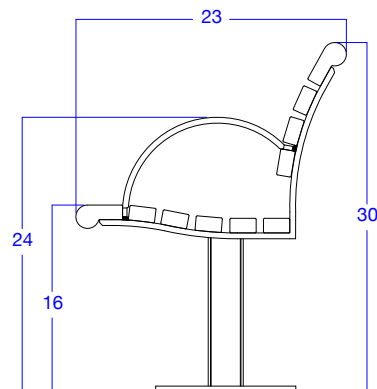
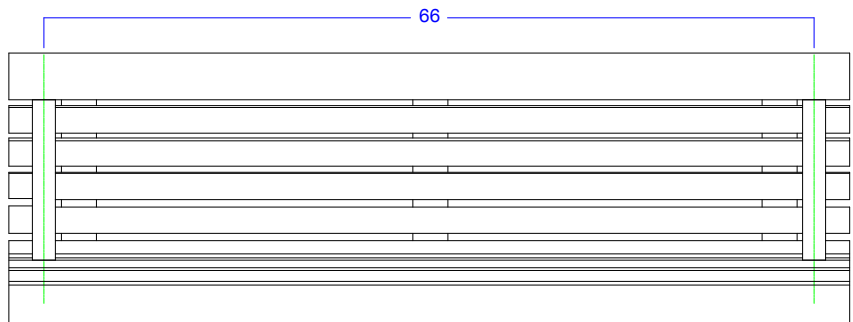
- | | |
|--|---|
| * Powder Coat Colors | |
| <input type="checkbox"/> Standard Gloss | <input type="checkbox"/> Brown |
| <input type="checkbox"/> Standard Matte | <input type="checkbox"/> Green |
| <input type="checkbox"/> Custom | <input type="checkbox"/> Charcoal |
| | <input type="checkbox"/> Black |
| | <input type="checkbox"/> Red |
| * HDPE Colors | |
| <input type="checkbox"/> Custom/Specify | <input type="checkbox"/> Gray |
| | <input type="checkbox"/> Cedar |
| | <input type="checkbox"/> Weathered |
| * Length Options | |
| <input type="checkbox"/> Custom Length/Specify | <input type="checkbox"/> 60" - PAR.TEA.BE.060 |
| | <input type="checkbox"/> 72" - PAR.TEA.BE.072 |
| Sleep Stopper Kit | <input type="checkbox"/> xxxx - 1 <input type="checkbox"/> 2 <input type="checkbox"/> 3 |
| Surface Installation Kit | <input type="checkbox"/> 9300-004-INST |



March 2012 v10.3 Fahnstrom/White Design



ParkSeries | Teardrop Seat / Arm and Armless



Specification Options *Asterisk categories must be selected

March 2012 v10.3 Fahnstrom/White Design

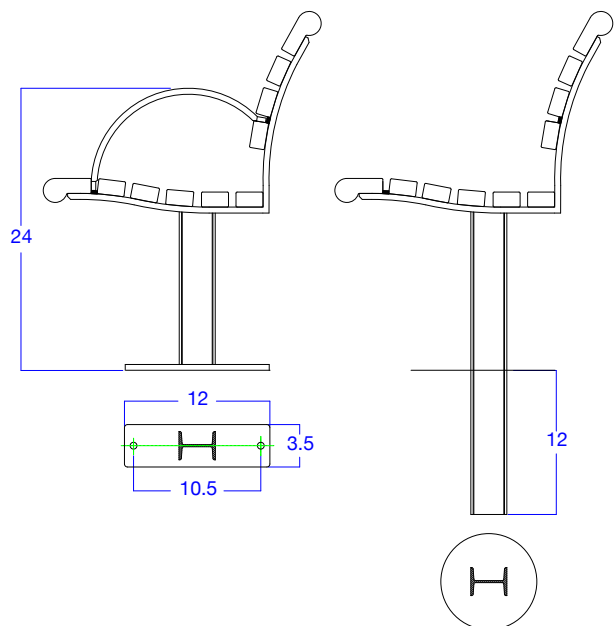
- * **Powder Coat Colors**
 - Standard Gloss
 - Standard Matte
 - Custom/Specify
 - Brown
 - Green
 - Charcoal
 - Black
 - Red

- * **HDPE Colors**
 - Custom/Specify
 - Gray
 - Cedar
 - Weathered

- * **Length Options-w/Arms**
 - 60" - PAR.TEA.SE.060.ARMS
 - Custom Length/Specify
 - 72" - PAR.TEA.SE.072.ARMS
- Length Options-Armless**
 - 60" - PAR.TEA.SE.060
 - 72" - PAR.TEA.SE.072

- Center Arm Kit 9986 - 1 2 3

- Surface Installation Kit 9300-004-INST

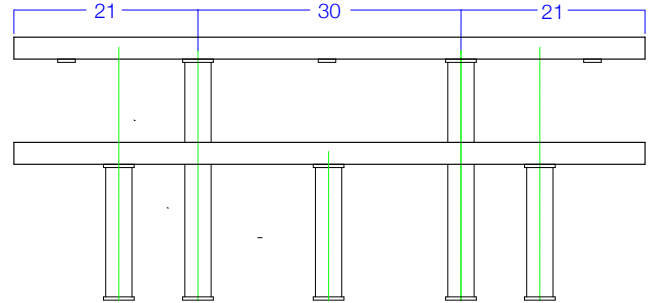
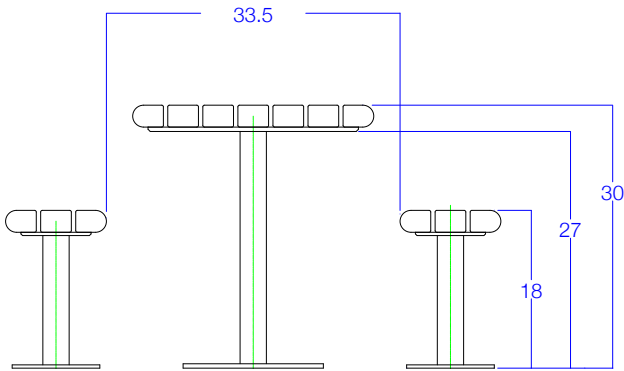
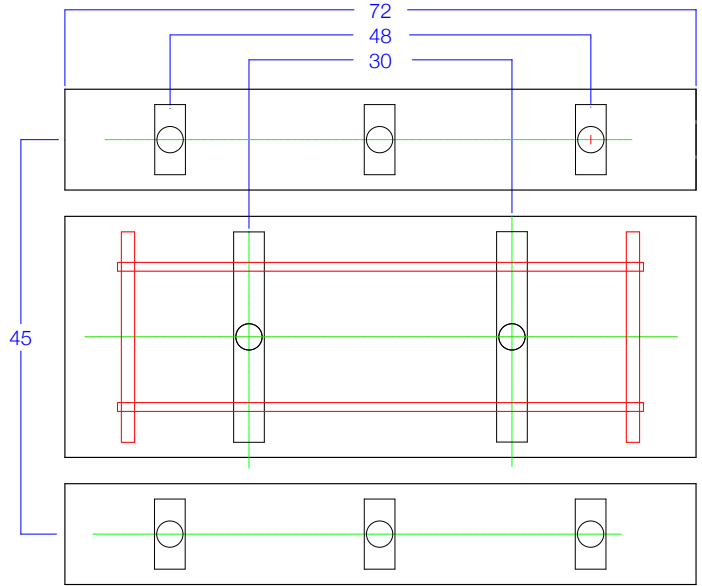


ParkSeries | 72" Picnic Table | ADA2 | Universal



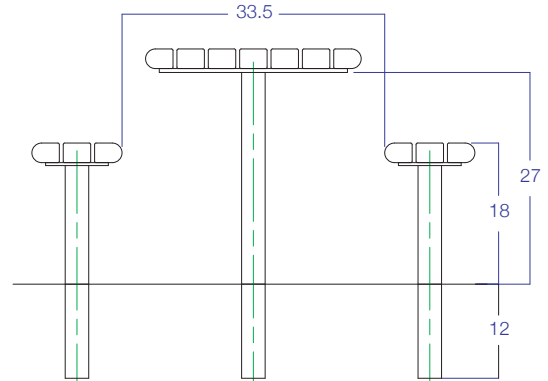
ADA Requirements:

Width	30"
Height	27"
Depth	19"
Seat	17"-19"



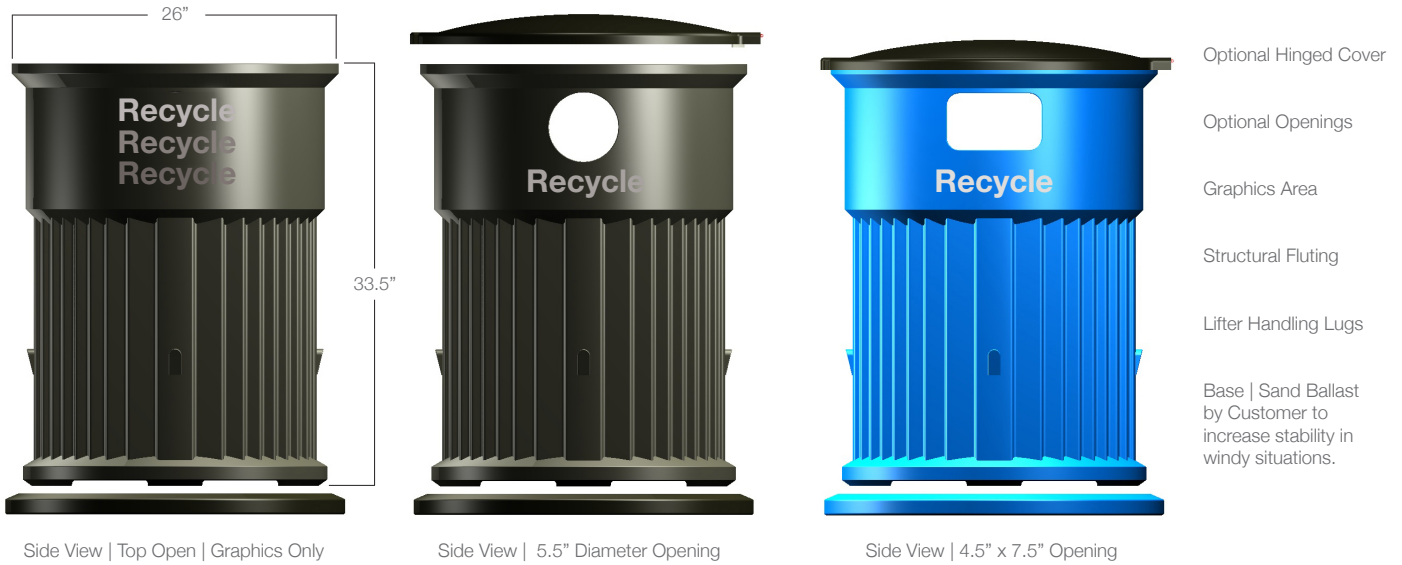
Specification Options *Asterisk categories must be selected

- * **Powder Coat Colors**
 - Standard Gloss
 - Standard Matte
 - Custom
 - Brown
 - Green
 - Charcoal
 - Black
 - Red
- * **HDPE Colors**
 - Custom
 - Gray
 - Cedar
 - Weathered
- * **Length Options**
 - 72" - PAR.PT.072.ADA.SM
 - 72" - PAR.PT.072.ADA.EM
- Surface Installation Kit 9300-004-INST



Embedded table dimensions required to be ADA compliant.

ParkSeries | E-Z Lift 50G Recycling Bin



Side View | Top Open | Graphics Only

Side View | 5.5" Diameter Opening

Side View | 4.5" x 7.5" Opening



Power lift images show how bin rib/lug configuration facilitates automated handling.

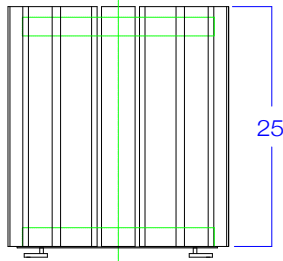
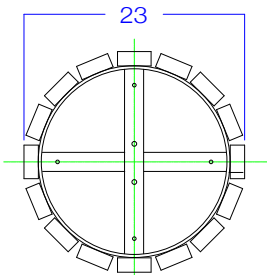
Specification Options *Asterisk categories must be selected

* HDPE Bin Color	<input type="checkbox"/> Black
Custom Color Quote for Minimum Quantities	<input type="checkbox"/> Blue
	<input type="checkbox"/> Custom Color Quote
* Hinged Cover (BlackOnly)	<input type="checkbox"/> Cover Kit
	<input type="checkbox"/> No Cover
Top Load Openings	<input type="checkbox"/> Shape
	<input type="checkbox"/> Size (TBD)
Side Load Opening	<input type="checkbox"/> Shape
	<input type="checkbox"/> Size (TBD)
Graphic/Labeling	<input type="checkbox"/> Standard Graphics
Minimum Quantities	<input type="checkbox"/> Custom Graphics
Other Options	<input type="checkbox"/> Base Weighting Kit
	<input type="checkbox"/> Internal Bag Liner Ring

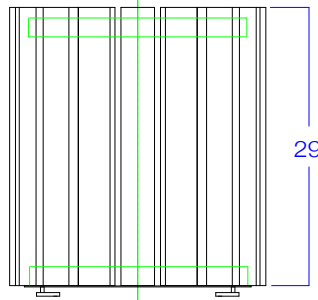
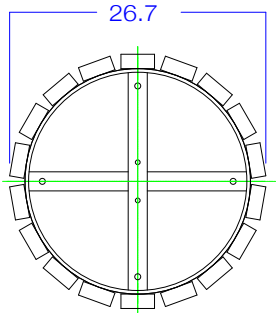
Features Include:

- Designed for handling by power Lift.
- Available standard colors - Black or Blue.
- Custom color w/minimum order. Call for quote.
- Bin can be used for Waste or Recycling.
- Internal bag attachment ring feature.
- Uses standard plastic bag/liner sizes.
- Hinged cover keeps water and pests out.
- Integral Color with UV Inhibitors.
- Large graphic area on top side walls.
- Size/shape of side openings can be specified.
- Stainless steel fasteners used throughout.
- Exceptional durability in harsh environments.
- Rotational molded in Recycled (HDPE) material.
- Low maintenance and long service life.
- Improved aesthetics over steel drums.
- Visual integration with other site furnishings.
- Environmentally friendly materials application.
- Bin covers are available in black only.

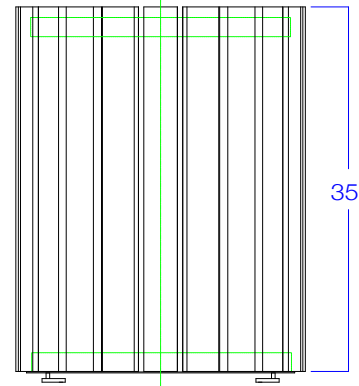
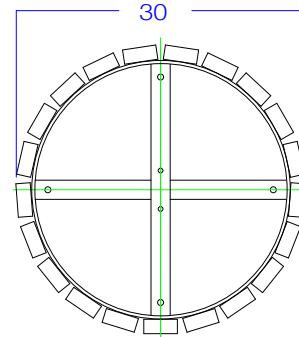
ParkSeries | Waste Enclosure



20G Waste Receptacle Enclosure



32G Waste Receptacle Enclosure



55G Waste Receptacle Enclosure

Specification Options *Asterisk categories must be selected

* **Powder Coat Colors**

- Standard Gloss
- Standard Matte
- Custom
- Brown
- Green
- Charcoal
- Black
- Red

* **HDPE Colors**

- Custom
- Gray
- Cedar
- Weathered

* **Size Option**

- Surface Embed
- 20G - PAR.WR.020
- 32G - PAR.WR.032
- 55G - PAR.WR.055

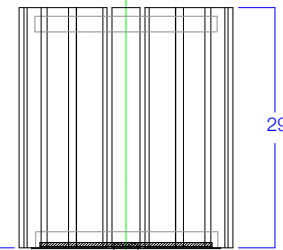
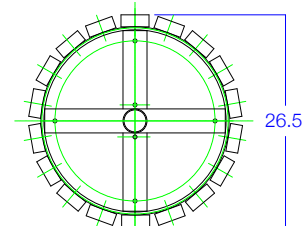
32G Plastic Liner 32G Liner - 9932

Additional Liners 55G Liner - 9955

Dome Lid Cover 32G Lid Cover - 9934

Supplied w/Cable Attachment 55G Lid Cover - 9956

Surface Installation Kit 9300-004-INST



March 2012 v10.3 Fahmstrom/White Design