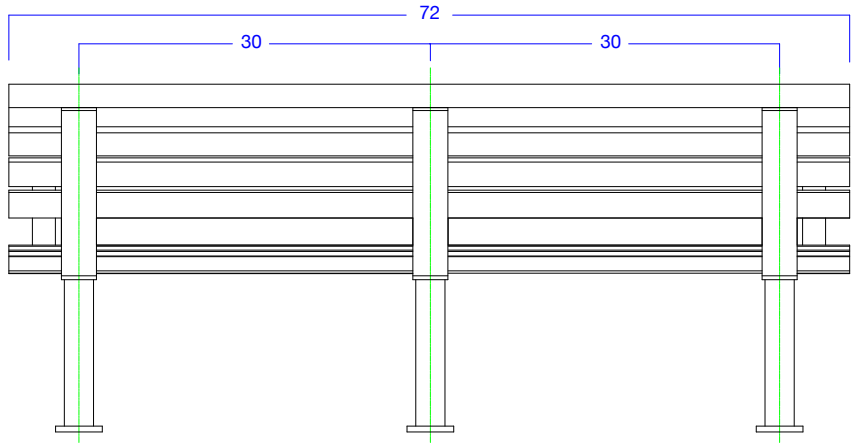
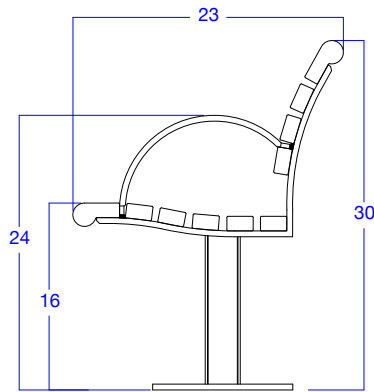
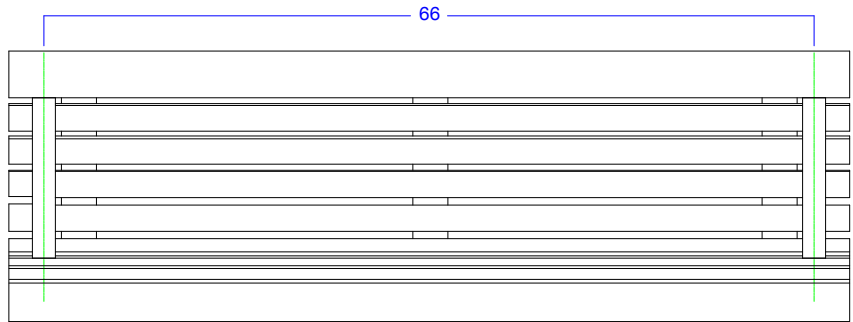




ParkSeries | Teardrop Seat / Arm and Armless



Specification Options *Asterisk categories must be selected

March 2012 v10.3 Fahnstrom/White Design

- | | |
|--|---|
| * Powder Coat Colors | |
| <input type="checkbox"/> Standard Gloss | <input type="checkbox"/> Brown |
| <input type="checkbox"/> Standard Matte | <input type="checkbox"/> Green |
| <input type="checkbox"/> Custom/Specify | <input type="checkbox"/> Charcoal |
| | <input type="checkbox"/> Black |
| | <input type="checkbox"/> Red |
| * HDPE Colors | |
| <input type="checkbox"/> Custom/Specify | <input type="checkbox"/> Gray |
| | <input type="checkbox"/> Cedar |
| | <input type="checkbox"/> Weathered |
| * Length Options-w/Arms | |
| <input type="checkbox"/> Custom Length/Specify | <input type="checkbox"/> 60" - PAR.TEA.SE.060.ARMS |
| | <input type="checkbox"/> 72" - PAR.TEA.SE.072.ARMS |
| Length Options-Armless | |
| | <input type="checkbox"/> 60" - PAR.TEA.SE.060 |
| | <input type="checkbox"/> 72" - PAR.TEA.SE.072 |
| Center Arm Kit | |
| | <input type="checkbox"/> 9986 - 1 <input type="checkbox"/> 2 <input type="checkbox"/> 3 |
| Surface Installation Kit | |
| | <input type="checkbox"/> 9300-004-INST |

