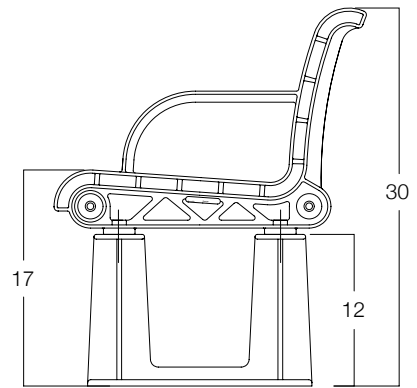
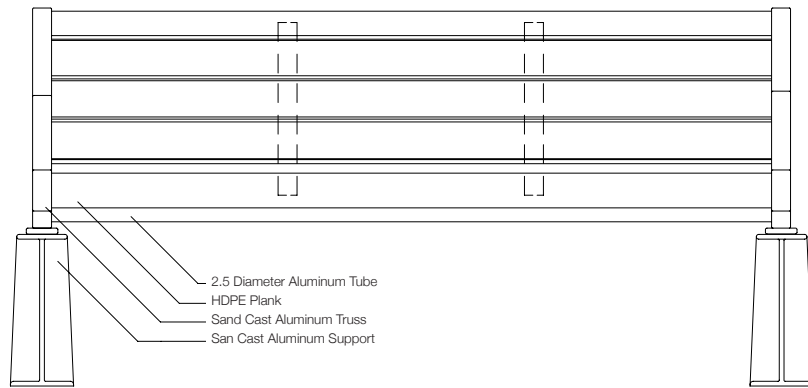
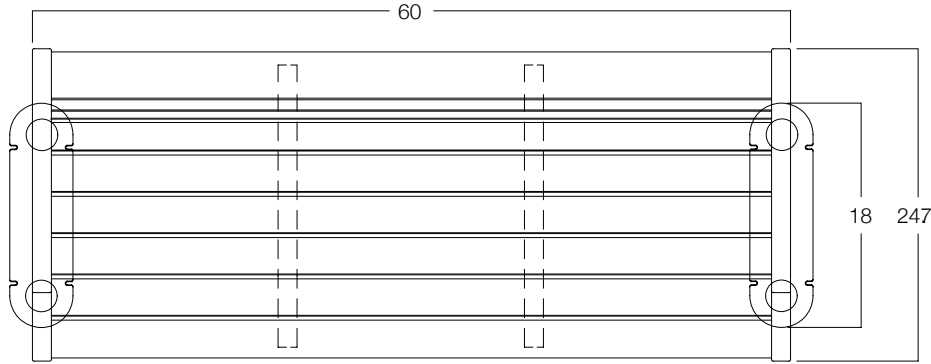
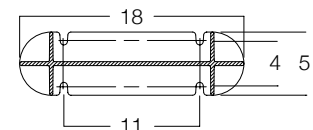


InfinitySeries | Seat

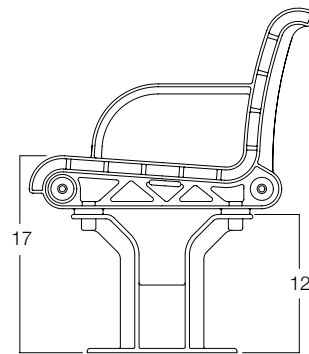


X-Base Surface Mount

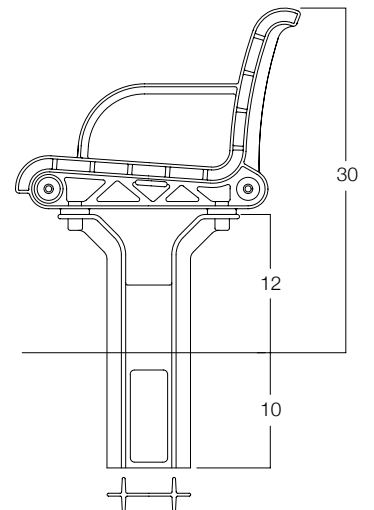
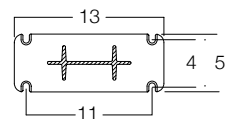


**Specification Options** \* Asterisk categories must be selected

- \* Powder Coat Color**
  - Standard Gloss
  - Standard Matte
  - Custom/Specify
  - Brown
  - Green
  - Charcoal
  - Black
  - Red
- \* HDPE Color**
  - Custom/Specify
  - Gray
  - Cedar
  - Weathered
- \* Length Options**
  - Custom
  - Link Option
  - 48" - INF.SE.048
  - 60" - INF.SE.060
  - 72" - INF.SE.072
  - 96" - INF.SE.096
- \* Base Options**
  - Custom Base/Specify
  - X-Base Surface Mount - XSM
  - Y-Base Surface Mount - YSM
  - Y-Base Embedded - YEM\*
- Surface Mount Hardware  9300-004-INST
- Seat Link  Seat Link Kit



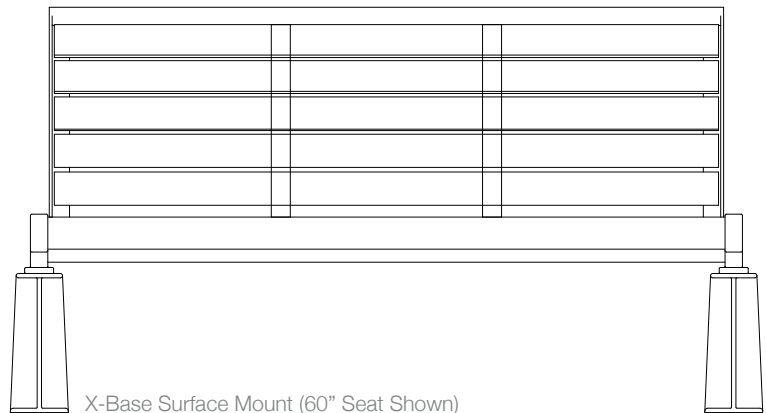
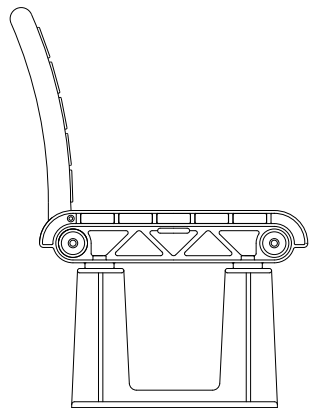
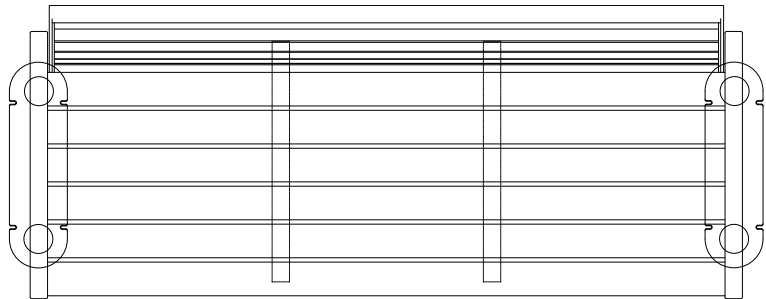
Y-Base Surface Mount



Y-Base Embedded

\* YEM- Embedded Y-Base is special order

InfinitySeries | ADA Seat | Special



X-Base Surface Mount (60" Seat Shown)

## Specification Options

### Powder Coat Colors

- Standard Gloss
- Standard Matte
- Custom Color
- Brown
- Green
- Charcoal
- Black
- Red

### HDPE Colors

- Custom
- Gray
- Cedar
- Weathered

### Length Options

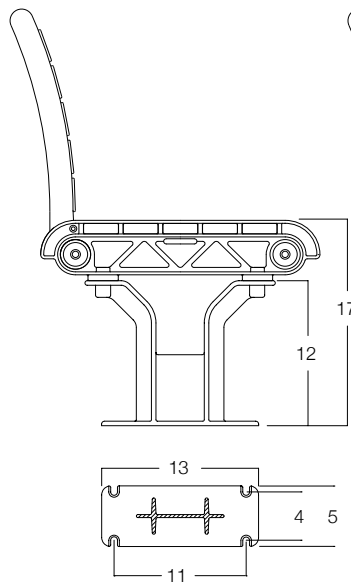
- Custom
- Link Option
- 48" - xx00
- 60" - xx01
- 72" - xx02
- 96" - xx03

### Base Options

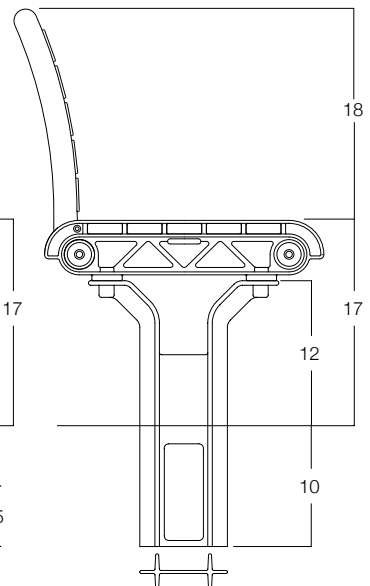
- Custom
- X-Base Surface Mount
- Y-Base Surface Mount
- Y-Base Embedded

### Installation Options

- Mount Hardware Kit
- Bench Link Kit



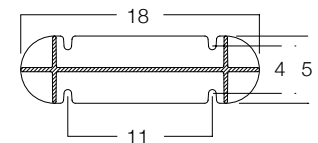
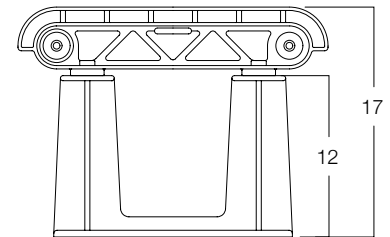
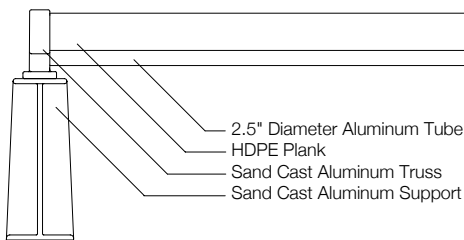
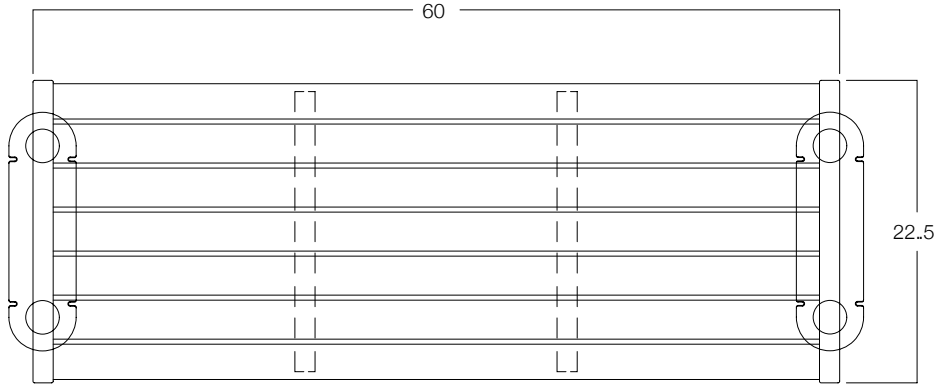
Y-Base Surface Mount



Y-Base Embedded

\* Y-Base-E Embedded is special order

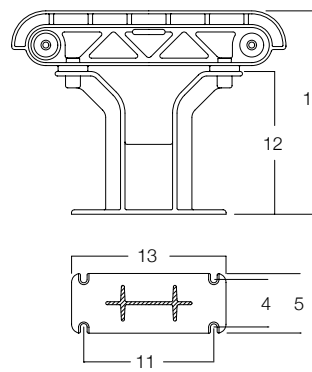
## InfinitySeries | Bench



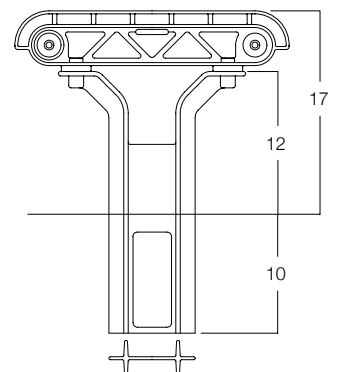
X-Base Surface Mount - XSM

### Specification Options\* Asterisk categories must be selected

- |  |  |
|--|--|
| <b>* Powder Coat Color</b>                   |  |
| <input type="checkbox"/> Standard Gloss      | <input type="checkbox"/> Brown   |
| <input type="checkbox"/> Standard Matte      | <input type="checkbox"/> Green   |
| <input type="checkbox"/> Custom/Specify      | <input type="checkbox"/> Charcoal  |
|  | <input type="checkbox"/> Black   |
|  | <input type="checkbox"/> Red   |
| <b>* HDPE Color</b>                          |  |
| <input type="checkbox"/> Custom/Specify      | <input type="checkbox"/> Gray  |
|  | <input type="checkbox"/> Cedar   |
|  | <input type="checkbox"/> Weathered   |
| <b>* Length Options</b>                      |  |
| <input type="checkbox"/> Custom/Specify      | <input type="checkbox"/> 48" - INF.BE.048  |
| <input type="checkbox"/> Link Option         | <input type="checkbox"/> 60" - INF.BE.060 (1 SS)   |
|  | <input type="checkbox"/> 72" - INF.BE.072 (1 SS)   |
|  | <input type="checkbox"/> 96" - INF.BE.096 (2 SS)   |
| <b>* Base Options</b>                        |  |
| <input type="checkbox"/> Custom Base/Specify | <input type="checkbox"/> X-Base Surface Mount - XSM  |
|  | <input type="checkbox"/> Y-Base Surface Mount - YSM  |
|  | <input type="checkbox"/> Y-Base Embedded - YEM   |
| Surface Mount Hardware                       | <input type="checkbox"/> 9300-004-INST   |
| Sleep Stopper                                | <input type="checkbox"/> 9900 - 1 <input type="checkbox"/> 2 <input type="checkbox"/> 3 <input type="checkbox"/> |
| Bench Links                                  | <input type="checkbox"/> Bench Link Kit  |



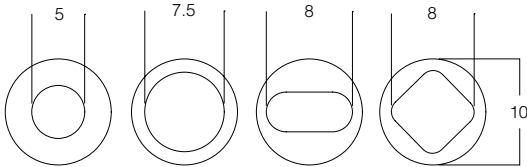
Y-Base Surface Mount -YSM



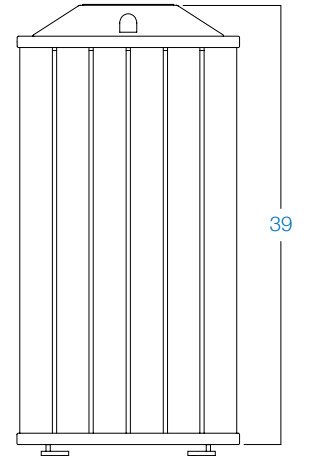
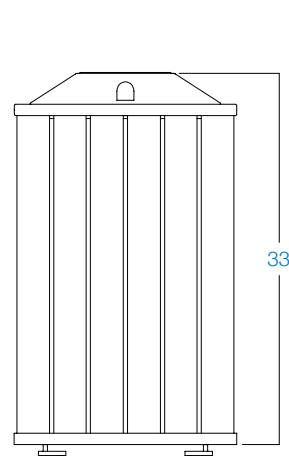
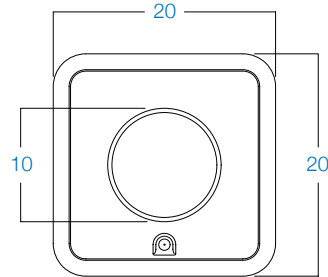
Y-Base Embedded - YEM



InfinitySeries | Recycle Bin/Planter

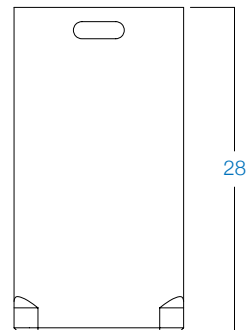
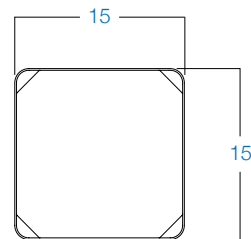


**A** Cans    **B** Trash    **C** Paper    **D** Glass/Plastic  
Top Inserts for Cast Aluminum Dome Cover

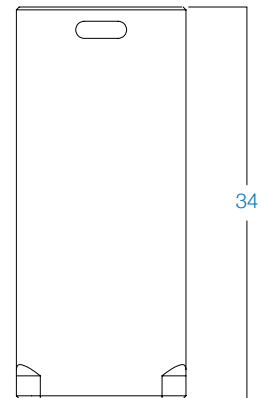


**Specification Options** \* Must select asterisk categories

- \* **Powder Coat Color**
  - Standard Gloss
  - Standard Matte
  - Custom/Specify
  - Brown
  - Green
  - Charcoal
  - Black
  - Red
- \* **HDPE Color**
  - Custom/Must Specify
  - Gray
  - Cedar
  - Weathered
- \* **Capacity Option**
  - Aluminum Top and Liner Inc.  33G - INF.WR.033
  - 40G - INF.WR.040
- \* **Top Insert Option**
  - A-Cans
  - B-Trash
  - C-Paper
  - D-Glass/Plastic
- \* **Installation Option**
  - Free Standing  Free Standing/Glide-GL
  - Surface Mounted  Freestanding/Caster-CA
  - Additional Plastic Liners  9300-004-INST-Kit
  - 33G - 9808L
  - 40G - 9809L
- 16" Planter** (Liner Included)  INF.PL.016
- Custom Size
  - Free Standing/Glide-GL
  - Free Standing/Caster-CA



33GHDPE Liner

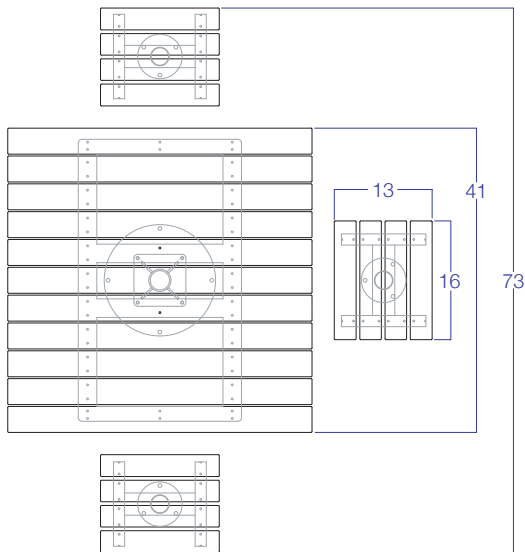


40G HDPE Liner

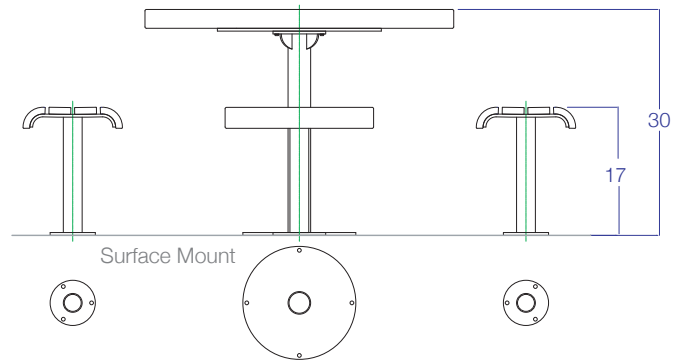
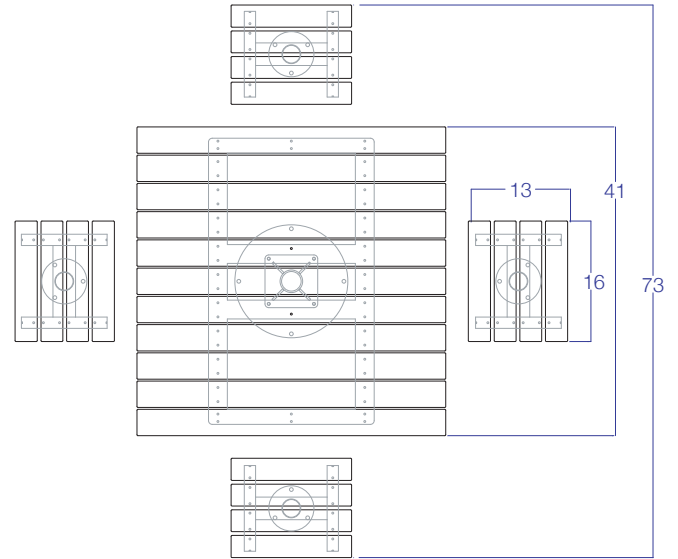
March 2012 v12.3 Fahnstrom/White Design



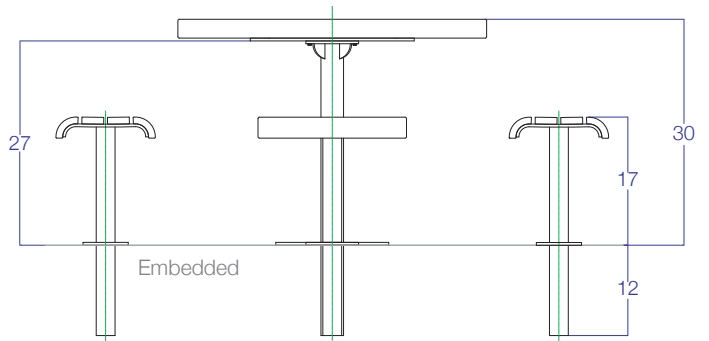
## InfinitySeries | Plaza Table



ADA Version w/Three Seats



Surface Mount



Embedded

### Specification Options \* Must select asterisk categories

- |  |   |                                     |
|--|---|-------------------------------------|
| <b>* Powder Coat Color</b>                   |   | <input type="checkbox"/> Brown      |
| <input type="checkbox"/> Standard Gloss      | <input type="checkbox"/> Green                  |                                     |
| <input type="checkbox"/> Standard Matte      | <input type="checkbox"/> Charcoal               |                                     |
| <input type="checkbox"/> Custom Color        | <input type="checkbox"/> Black                  |                                     |
|  | <input type="checkbox"/> Red                    |                                     |
| <b>* HDPE Colors</b>                         |   |                                     |
| <input type="checkbox"/> Custom/Must Specify | <input type="checkbox"/> Gray                   |                                     |
|  | <input type="checkbox"/> Cedar                  |                                     |
|  | <input type="checkbox"/> Weathered              |                                     |
| <b>* Top Size 41" x 41"</b>                  |   | <input type="checkbox"/> INF.PZ.041 |
| <input type="checkbox"/> Custom/Must Specify | <input type="checkbox"/> INF.PZ.041.ADA         |                                     |
| <b>* Installation Option</b>                 |   | <input type="checkbox"/> Embedded   |
| <input type="checkbox"/> Surface Mount       | <input type="checkbox"/> 9300-004-INST Hardware |                                     |