

RecycleDesign™ has developed a new **PatioCollection**, based on our popular **InfinitySeries**, that creates the opportunity to link interior spaces with outside casual and social spaces. Developed as a “Patio Planning System”, the **PatioCollection** merges our interest and commitment to environmental responsibility with the goal of creating a family of products that adapt to a variety of exterior settings and create an inviting and lasting impression with customers who use these spaces. Our products are pre-fabricated in our factory, shipped as KD units and easily assembled on site. As a result, the **PatioCollection** delivers performance, planning flexibility and installation ease while reducing cost.



PatioCollection Planning System installed at a **Wendy's** (In Chicago, IL)

**Infinity Series**

Waste Receptacles

**35G Front Load Waste Receptacle**

Number:

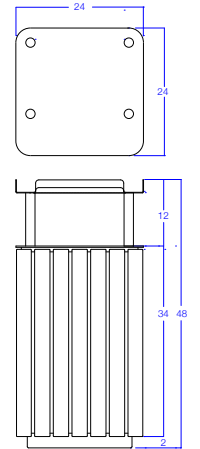
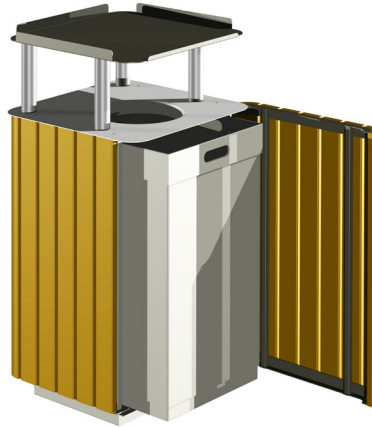
**W.INF.WR.035**

\$ (FOB Anderson, Indiana)

Key Features:

- Aluminum Tray Powder Coated Gray
- Frame - Powder Coat Gray
- Slats - Cedar Color HDPE
- Surface Mount Required
- EZ Install Base
- Unit ships fully assembled

Note: Liner NOT Included.  
Purchase separately from KES



**32G Top Load Waste Receptacle**

Number:

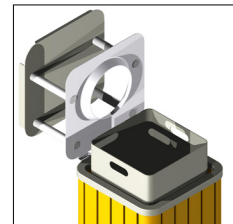
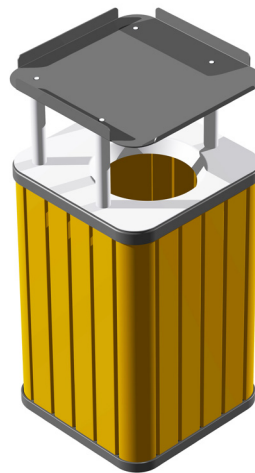
**W.INF.WR.032**

\$ (FOB Anderson, Indiana)

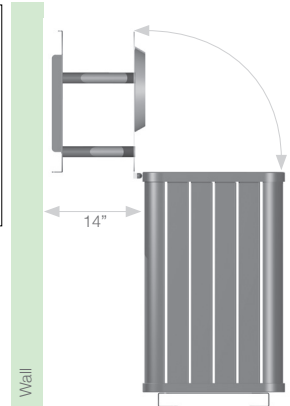
Key Features:

- Frame - Powder Coat Gray
- Slats - Cedar Color HDPE
- Surface Mount Required
- EZ Install Base
- Unit ships fully assembled

Note: Liner Included.



A minimum 14" clear space must be provided for cover to open fully during servicing. The open cover will clear any objects 32" or under. A retainer cable stops the top swing @ about 90 degrees.



**32G Drive-up Waste Receptacle**

Number:

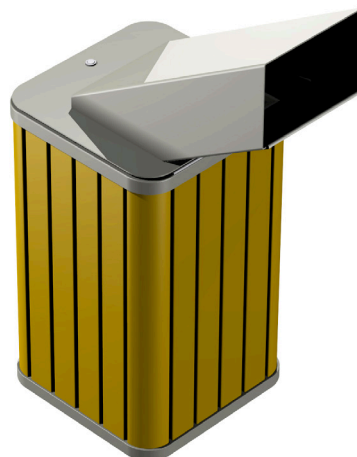
**W.INF.DB.WR.DR**

\$ (FOB Anderson, Indiana)

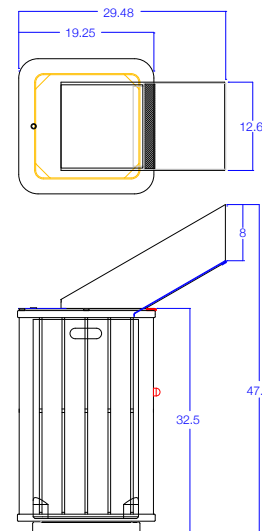
Key Features:

- Stainless Steel Chute Bottom
- Aluminum Chute Enclosure
- Aluminum Chute Powder Coat Gray
- Aluminum Frame Powder Coat Gray
- Slats - Cedar HDPE
- Self-Latching Top Access Button
- EZ Install Base
- Surface Mount Required
- Unit ships partially assembled

Note: Liner Included



Top shown in "OPEN" position for access to empty trash contents. Chute is vertical when fully open.



**Infinity Series**

41x41 Square Patio Tables | 4-Top and 3-Top ADA

**4-Top Patio Table 41' x 41”**

Number: **W.INF.PT.4141.4T**

\$ (FOB Anderson, Indiana)

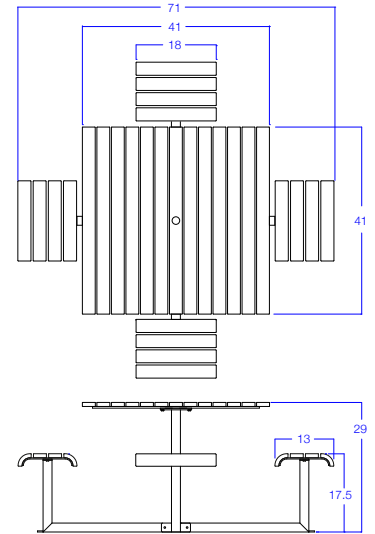
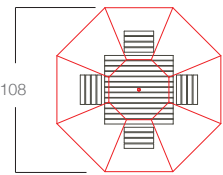
Key Features:

- Frame - Powder Coat Gray
- Slats - Cedar Color HDPE
- Surface Mount Only
- Umbrella Hole

Optional 9x9 Umbrella

Number:

**W.INF.UMB.732**



**3-Top Patio Table 41' x 41” ADA**

Number: **W.INF.PT.4141.3T.ADA**



\$ (FOB Anderson, Indiana)

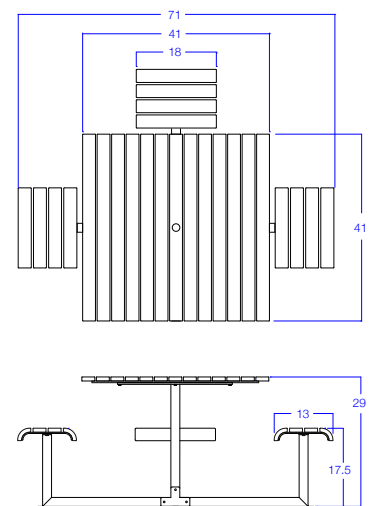
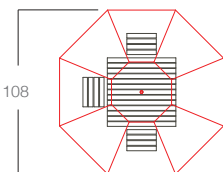
Key Features:

- ADA Accessible
- Frame - Powder Coat Gray
- Slats - Cedar Color HDPE
- Surface Mount Only
- Umbrella Hole

Optional 9x9 Umbrella

Product Number:

**W.INF.UMB.732**



**Infinity Series**

41x41 Square Patio Tables | 6-Top and 5-Top ADA

**6-Top Patio Table 41' x 41"**

Number: **W.INF.PT.4141.6T**

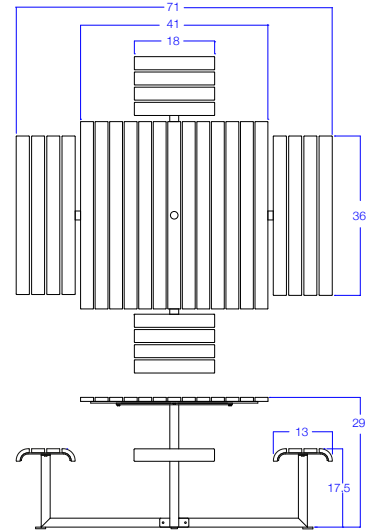
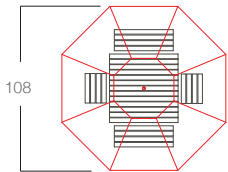
\$ (FOB Anderson, Indiana)

Key Features:

- Frame - Powder Coat Gray
- Slats - Cedar Color HDPE
- Surface Mount Only
- Umbrella Hole

Optional 9x9 Umbrella:

**W.INF.UMB.732**



**5-Top Patio Table 41' x 41" ADA**

Number: **W.INF.PT.4141.5T.ADA**



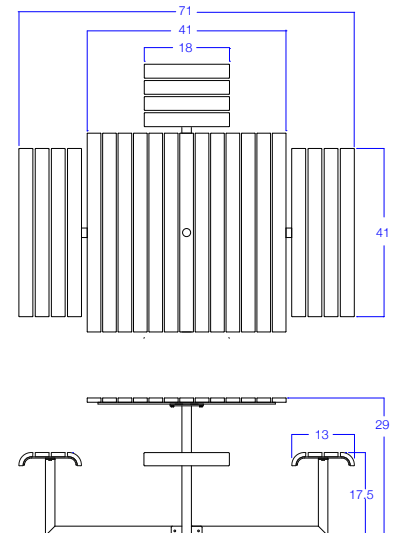
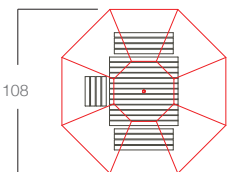
\$ (FOB Anderson, Indiana)

Key Features:

- ADA Accessible
- Frame - Powder Coat Gray
- Slats - Cedar Color HDPE
- Surface Mount Only
- Umbrella Hole

Optional 9x9 Umbrella:

**W.INF.UMB.732**





**Infinity Series**

36x36 | 29x30 | 29x24 | Small Patio Tables

**4-Top Patio Table 36" x 36"**

Number: **W.INF.PT.3636.4T**

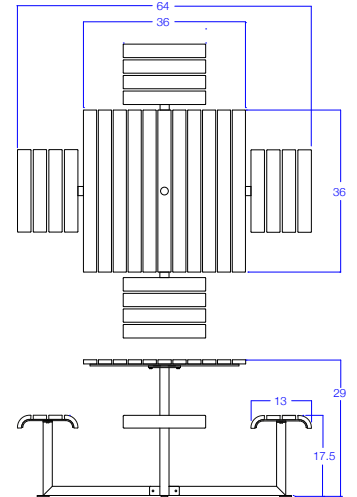
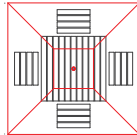
\$ (FOB Anderson, Indiana)

**Key Features:**

- Frame - Powder Coat Gray
- Slats - Cedar Color HDPE
- Surface Mount Only
- Umbrella Hole

Optional 6x6 Umbrella:

**W.INF.UMB.762**



**2-Top Patio Table 30" x 29"**

Number: **W.INF.PT.3029.2T**

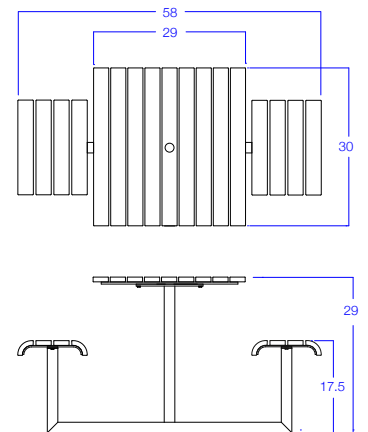
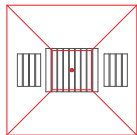
\$ (FOB Anderson, Indiana)

**Key Features:**

- Frame - Powder Coat Gray
- Slats - Cedar Color HDPE
- Surface Mount Only
- Umbrella Hole

Optional 6x6 Umbrella:

**#W.INF.UMB.762**



**2-Top Patio Table 24" x 29"**

Number: **W.INF.PT.2429.2T**

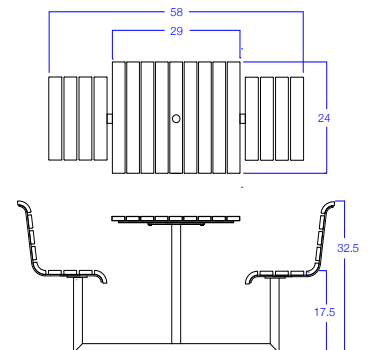
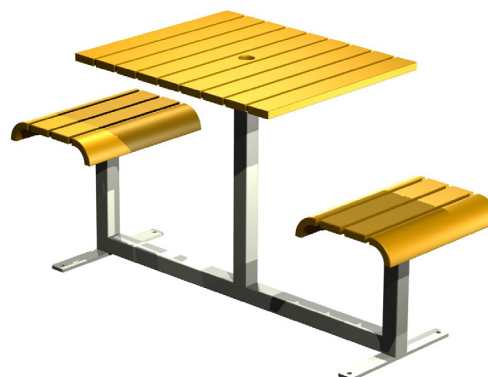
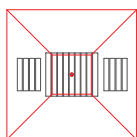
\$ (FOB Anderson, Indiana)

**Key Features:**

- Frame - Powder Coat Gray
- Slats - Cedar Color HDPE
- Surface Mount Only
- Umbrella Hole

Optional 6x6 Umbrella:

**#W.INF.UMB.762**



**Infinity Series**

Wall and Rail Tables

**42"x29" Wall Table 4T-ADA**

Number: **W.INF.PT.4229.4T.ADA**

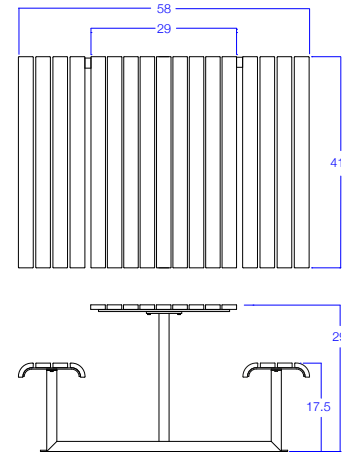
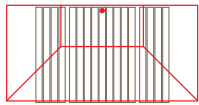


\$ (FOB Anderson, Indiana)

Key Features:

- ADA Accessible
- Frame - Powder Coat Gray
- Slats - Cedar Color HDPE
- Surface Mount Only
- Umbrella Hole
- Un-obstructed floor

Optional 3.5x7 Half Wall Umbrella  
#**W.INF.UMB.772**



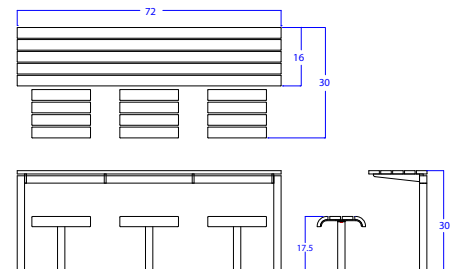
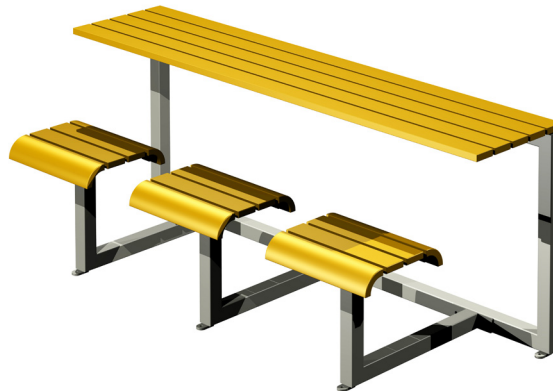
**72"x16" Rail Table 3T**

Number: **W.INF.RT.7612**

\$ (FOB Anderson, Indiana)

Key Features:

- Frame - Powder Coat Gray
- Slats - Cedar Color HDPE
- Surface Mount Only



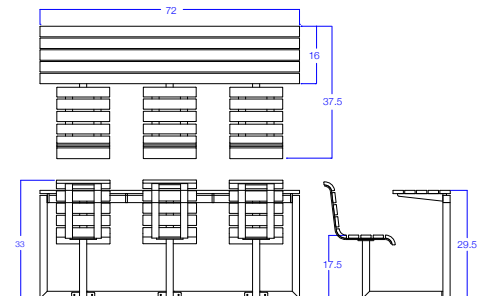
**72"x16" Rail Table 3T /Seat Backs**

Number: **W.INF.RT.7612.B**

\$ (FOB Anderson, Indiana)

Key Features:

- Frame - Powder Coat Gray
- Slats - Cedar Color HDPE
- Surface Mount Only
- High Seat Backs



**Infinity Series**

41x41 Patio Table|Seat Backs | 4-Top

**41"x41" Patio Table - 4Top w/Seat Backs**

Number: **W.INF.PT.4141.4T.B**

\$ (FOB Anderson, Indiana)

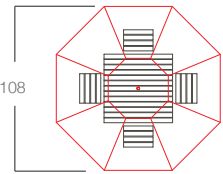
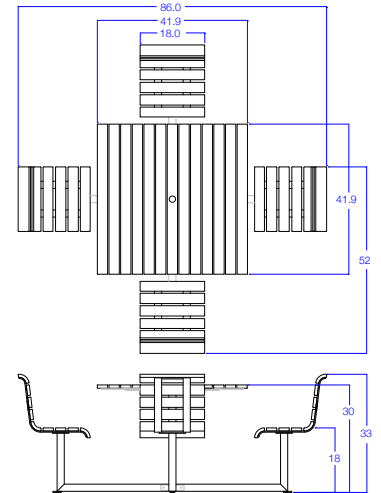
Key Features:

- High Back Seats
- Frame - Powder Coat Gray
- Slats - Cedar Color HDPE
- Surface Mount Only
- Umbrella Hole

Optional 9x9 Umbrella

Product Number:

**W.INF.UMB.732**



**41"x41" Patio Table - 3Top w/Seat Backs**

Number: **W.INF.PT.4141.3T.B.ADA**



\$ (FOB Anderson, Indiana)

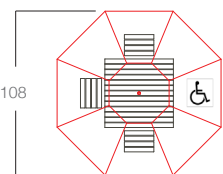
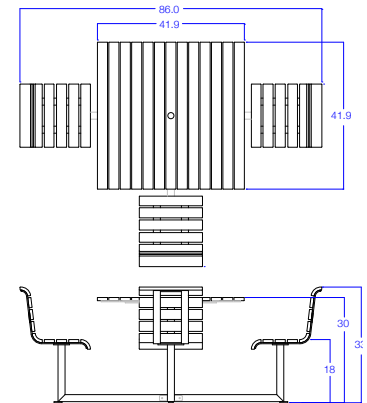
Key Features:

- ADA Accessible
- High Back Seats
- Frame - Powder Coat Gray
- Slats - Cedar Color HDPE
- Surface Mount Only
- Umbrella Hole

Optional 9x9 Umbrella

Product Number:

**W.INF.UMB.732**



**Infinity Series**

41x41 Patio Table | Tall Seat Backs | 6-Top, 5-Top, 4-Top

**41”x41” Patio Table-6Top w/Seat Backs**

Number: **W.INF.PT.4141.6T.B**

\$ (FOB Anderson, Indiana)

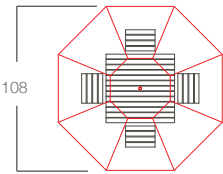
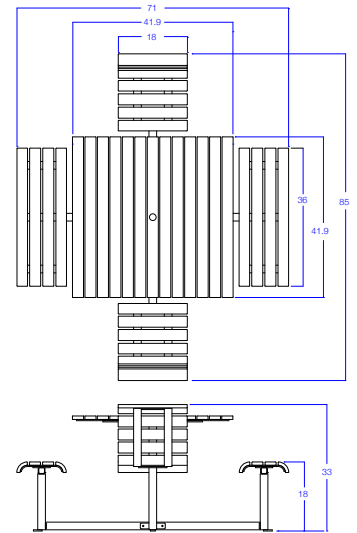
Key Features:

- High Back Seats
- Frame - Powder Coat Gray
- Slats - Cedar Color HDPE
- Surface Mount Only
- Umbrella Hole

Optional 9x9 Umbrella

Product Number:

Number: **W.INF.UMB.732**



**41”x41” Patio Table-5Top-ADA w/Seat Backs**

Number: **W.INF.PT.4141.5T.B.ADA**



\$ (FOB Anderson, Indiana)

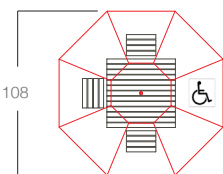
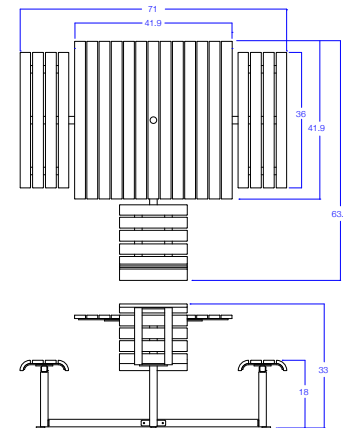
Key Features:

- High Back Seats
- Frame - Powder Coat Gray
- Slats - Cedar Color HDPE
- Surface Mount Only
- Umbrella Hole

Optional 9x9 Umbrella

Product Number:

Number: **W.INF.UMB.732**





**Infinity Series**

36x36 | 29x30 | 29x24 | Small Patio Tables

**4-Top Patio Table 36' x 36" w/Seat Backs**

Number: **W.INF.PT.3636.4T.B**

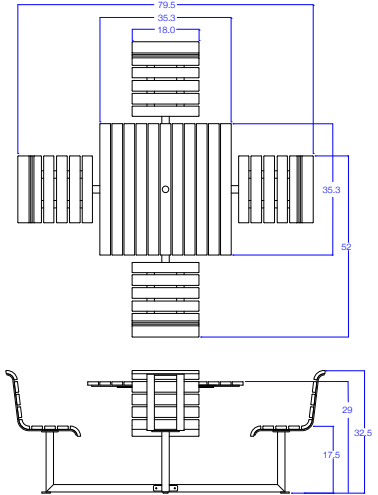
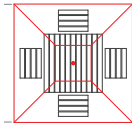
\$ (FOB Anderson, Indiana)

**Key Features:**

- Frame - Powder Coat Gray
- Slats - Cedar Color HDPE
- Surface Mount Only
- Umbrella Hole

Optional 6x6 Umbrella:

**W.INF.UMB.762**



**2-Top Patio Table 29" x 30" w/Seat Backs**

Number: **W.INF.PT.3029.2T.B**

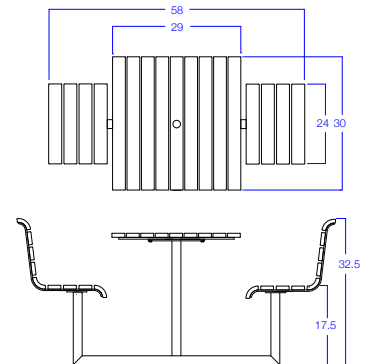
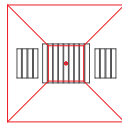
\$ (FOB Anderson, Indiana)

**Key Features:**

- Frame - Powder Coat Gray
- Slats - Cedar Color HDPE
- Surface Mount Only
- Umbrella Hole

Optional 6x6 Umbrella:

**W.INF.UMB.762**



**2-Top Patio Table 29" x 24" w/Seat Backs**

Number: **W.INF.PT.2429.2T.B**

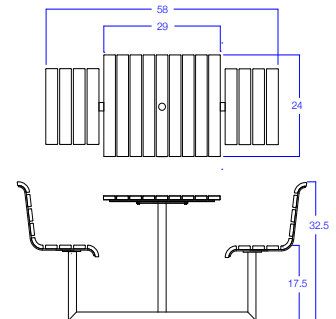
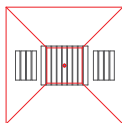
\$ (FOB Anderson, Indiana)

**Key Features:**

- Frame - Powder Coat Gray
- Slats - Cedar Color HDPE
- Surface Mount Only
- Umbrella Hole

Optional 6x6 Umbrella:

**W.INF.UMB.762**



**Infinity Series**

Patio Planning Components

**16x22 Planter/Liner**

Number: **W.INF.PLANT.1622**

\$ (FOB Anderson, Indiana)

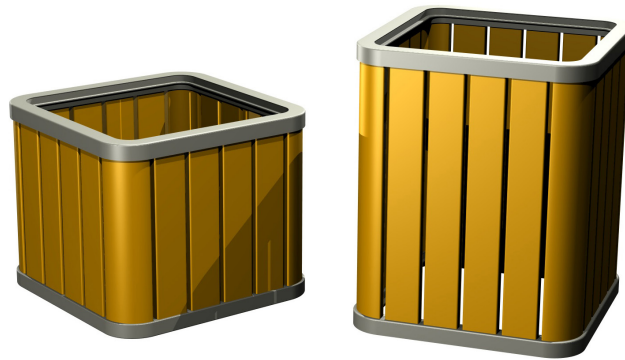
**24x22 Planter/Liner**

Number: **W.INF.PLANT.2422**

\$ **373.00** (FOB Anderson, Indiana)

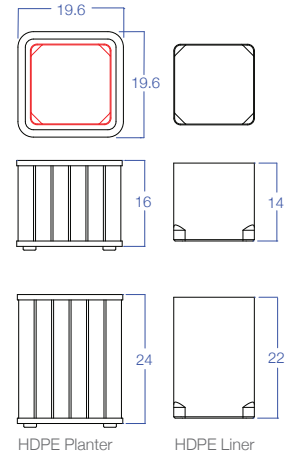
Key Features:

- Frame - Powder Coat Gray
- Slats - Cedar Color HDPE
- Surface Mount Only



W.INF.PLANT.1622

W.INF.PLANT.2422



**48"x16" Slim Bench**

Number: **W.INF.BE.4816**

\$ (FOB Anderson, Indiana)

**60"x16" Slim Bench**

Number: **W.INF.BE.6016**

\$ (FOB Anderson, Indiana)

**72"x16" Slim Bench**

Number: **W.INF.BE.7216**

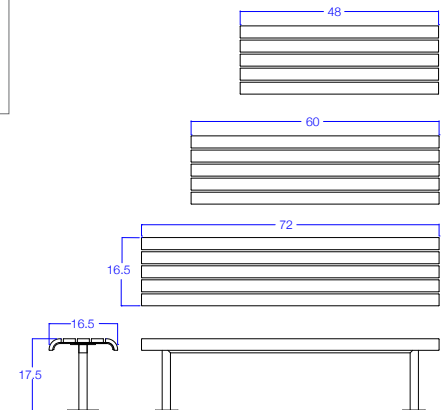
\$ (FOB Anderson, Indiana)

Key Features:

- Frame - Powder Coat Gray
- Slats - Cedar Color HDPE
- Surface Mount Optional



W.INF.BE.4816 (Illustrated)



**22"x12" Side Table**

Number: **W.INF.ST.2212**

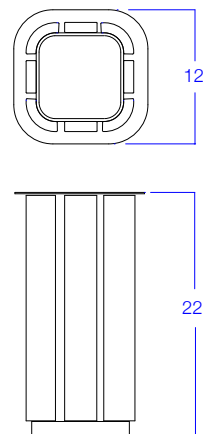
\$ (FOB Anderson, Indiana)

Key Features:

- Frame - Powder Coat Gray
- Slats - Cedar Color HDPE
- Surface Mount Only



W.INF.ST.2212



**Infinity Series**

Smoke Stand | Bike Stand

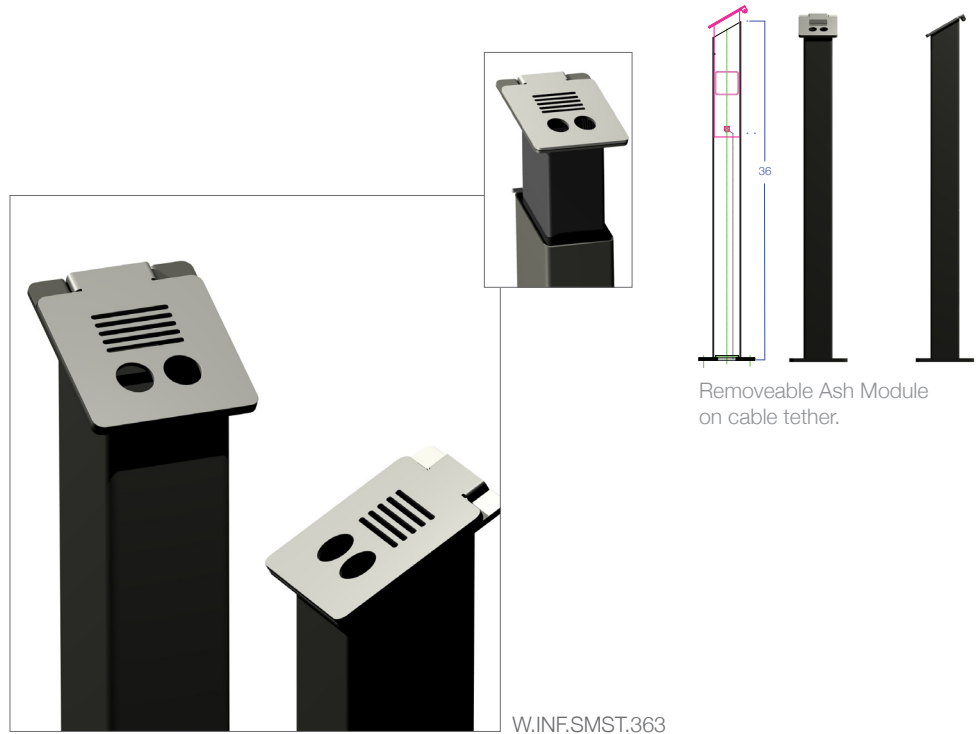
**Smoke Stand**

Number: **W.INF.SMST.363**

\$ . (FOB Anderson, Indiana)

Key Features:

- Frame - Powder Coat Gray
- Removable Ash Module
- Surface Mount Only



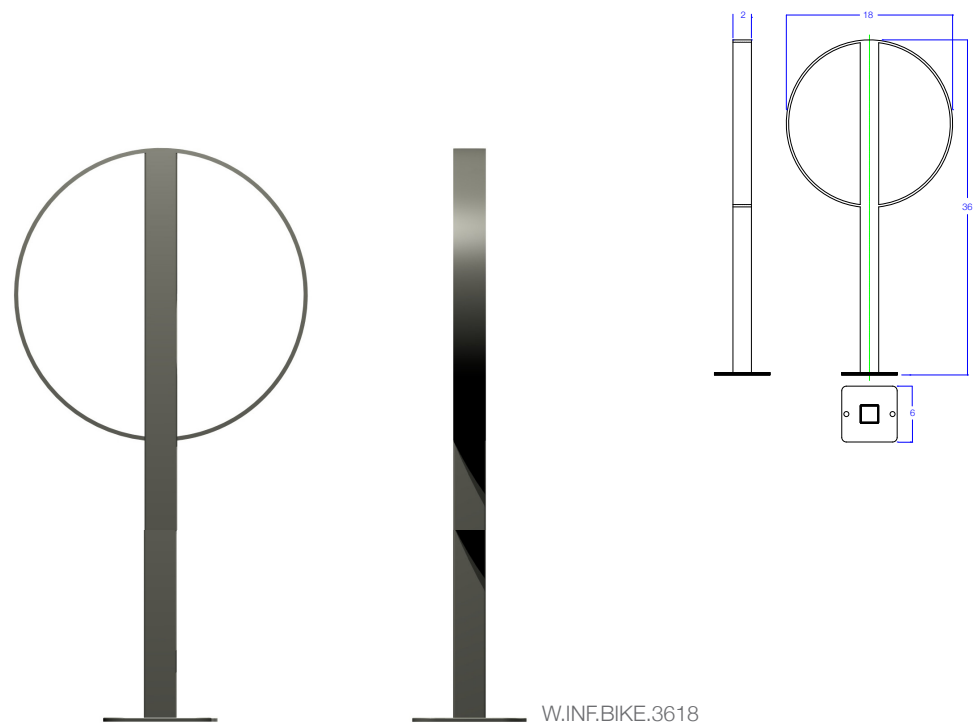
**Bicycle Stand**

Number: **W.INF.BIKE.3618**

\$ (FOB Anderson, Indiana)

Key Features:

- Frame - Powder Coat Gray
- Surface Mount Only



**Infinity Series**

**Umbrellas**

**9' Foot Umbrella**

Number: **W.INF.UMB.732**

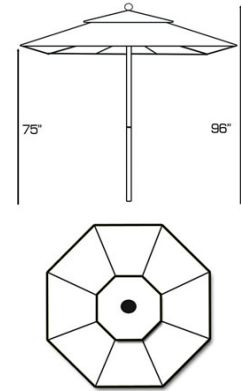
(FOB Anderson, Indiana)

**Key Features:**

- Secure locks into table base
- 108" Diameter
- Sunbrella Jockey Red Color Grade B
- Commercial Construction
- Manual Lift
- Double Wall Aluminum Construction
- Durable outdoor cover included



W.INF.UMB.735



108" Diameter

**3.5'x7' Half Wall Umbrella**

Number: **W.INF.UMB.772**

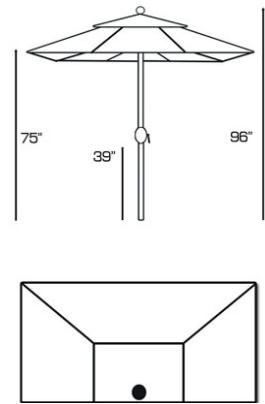
\$ (FOB Anderson, Indiana)

**Key Features:**

- Secure locks into table base
- 3.5' x 7' Rectangular Dimension
- Sunbrella Jockey Red Color Grade B
- Commercial Construction
- Crank Lift
- Double Wall Aluminum Construction
- Durable outdoor cover included



W.INF.UMB.772



41" x 84"

**6'x6' Umbrella**

Number: **W.INF.UMB.762**

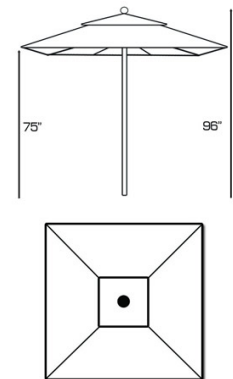
\$ (FOB Anderson, Indiana)

**Key Features:**

- Secure locks into table base
- 6' x 6' Square Dimension
- Sunbrella Jockey Red Color Grade B
- Commercial Construction
- Manual Lift
- Double Wall Aluminum Construction
- Durable outdoor cover included



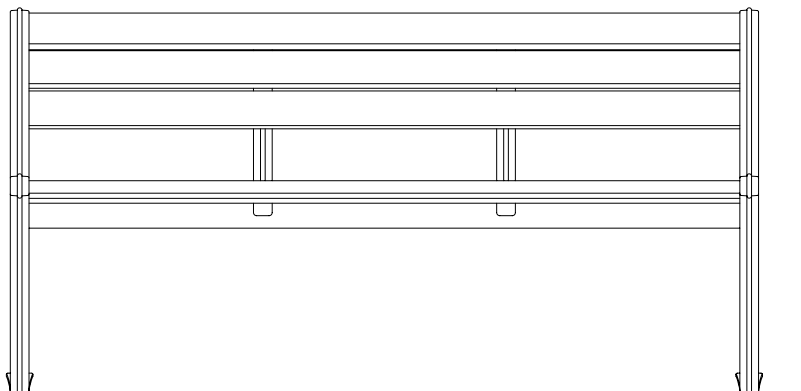
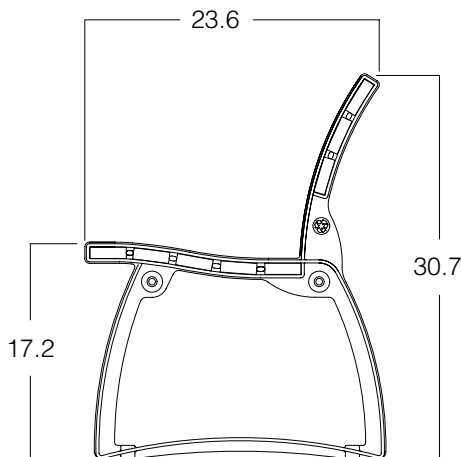
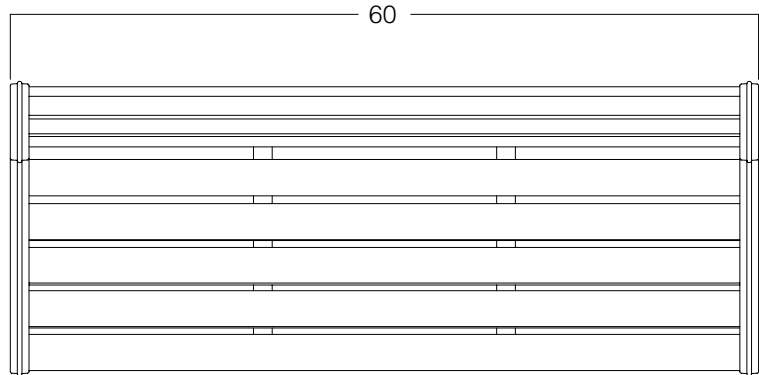
W.INF.UMB.762



72"x72"



InfinityPatioSeries | Plaza Seat



## Specification Options

- |                                 |                                   |
|---------------------------------|-----------------------------------|
| Powder Coat Colors              | <input type="checkbox"/> Brown    |
| <input type="checkbox"/> Custom | <input type="checkbox"/> Green    |
|                                 | <input type="checkbox"/> Charcoal |
|                                 | <input type="checkbox"/> Black    |

- |                                 |                                    |
|---------------------------------|------------------------------------|
| HDPE Colors                     | <input type="checkbox"/> Gray      |
| <input type="checkbox"/> Custom | <input type="checkbox"/> Cedar     |
|                                 | <input type="checkbox"/> Weathered |

- |                                 |   |
|---------------------------------|---|
| Length Options                  | <input type="checkbox"/> 60" - 9866 / Armless |
| <input type="checkbox"/> Custom |   |

- |                     |   |
|---------------------|---|
| Installation Option | <input type="checkbox"/> Surface Mount Only |
|---------------------|---|

## Technical Specifications

### General Installation Guidelines

RecycleDesign™ products are shipped KD to reduce shipping and packaging costs. Please unpack and inspect components to insure that parts are complete and undamaged upon arrival. The following technical notes are intended to assist in specifying and installing our products; generally accepted A.I.A. principles and local conditions apply accordingly.

### Shipping and Packaging Materials

RecycleDesign uses plastic foam packaging materials to protect parts in shipment. We re-use foam accumulated in our recycling operation when it is available; otherwise we use new foam. If you choose to mail the packing foam back to us, we will use it again to pack parts.

### HDPE Lumber

Lumber profiles are extruded from recycled, high density polyethylene derived from purified milk bottle waste. While our goal is to use 100% recycled HDPE, when the post consumer material falls below our purity standards, we will blend up to 25% prime material to achieve maximum quality and optimum performance characteristics. Blends automatically include UV-inhibited pigment systems as well as other process additives to achieve color stability.

HDPE lumber is very resistant to corrosion and moisture, and is warranted not to rot, splinter, crack or peel. No waterproofing or staining is required or recommended. The lumber is made from purified polymers and manufactured to consistent, reproducible standards.

### HDPE Lumber Technical Data

Mechanical Properties	Test Method	Typical Value
Density, lbs/cu.in.	(ASTM D792)	.025 - .028
Compressive Strength (ASTM D695)		
psi @ .2 in. def.		2540 - 2560
psi @ .4 in. def.		3040 - 3120
psi @ .6 in. def.		5130 - 5350
Tensile Strength, psi (ASTM D638)		2160 - 2630
Flexural Modulus, psi (ASTM D790)		97900 - 103300
Coeff. Of Thermal Exp. in/in/° F (ASTM D696)		.00007
Accel. Weath. >1MM langleys (ASTM E838)		0.91% color Δ

### Structural Beams

InfinitySeries, VictoriaSeries and some CitySeries benches and seats utilize 2.500" OD or 2.0"ODx .125" aluminum tube for the support structure spanning the two cast aluminum end frames. The tubes, made from 6061-T6 mill finish material, support three and four point loading on the 5' 0" and 6' 0" models, respectively. Expected bending stresses at both spans are far exceeded by the 17,000 psi recommendation for these beam sizes.

### Aluminum Castings

The cast aluminum end frames and spanners are made with #319 alloy, consisting primarily of re-processed metal. These parts are inherently weather resistant, and possess exceptional strength.

### Castings Technical Data

Mechanical Properties	Typical Value
Ultimate Strength, psi	27,000
Yield Strength, psi	18,000
Shear Modulus Rupture, psi	22,000
Fatigue Strength, psi	10,000

### Powdercoat Finishes

The finishing systems used with RecycleDesign™ products are 100% solids and contain no volatile organic compounds. The powdercoat resin system is polyester, a weatherable and durable material suited for exterior use.

### Mechanical Fasteners

Standard mechanical supplies are typically a combination of vandal resistant and conventional stainless steel fasteners. Tools for custom head fasteners are supplied as necessary. Some aluminum parts are fastened with or to steel parts. This condition may promote electrolysis and degradation of the metal if not insulated. Therefore, nylon insulating washers are supplied with the assembly. Please make sure washers are installed.

### Other Considerations

Specific assembly and installation parameters are available, along with mechanical drawings, for each RecycleDesign™ product. Custom lengths and planning options may be available in most RecycleDesign™ furnishings.

### Customer information

RecycleDesign, Inc.	765.374.0316
Toll Free Number	866.744.9899
Prints sent by fax	765.643.0781

### Website

[www.RecycleDesign.com](http://www.RecycleDesign.com)

Visit our website for information on product offerings, installation methods, technical specifications, drawings and product catalogs and other information which can be downloaded.