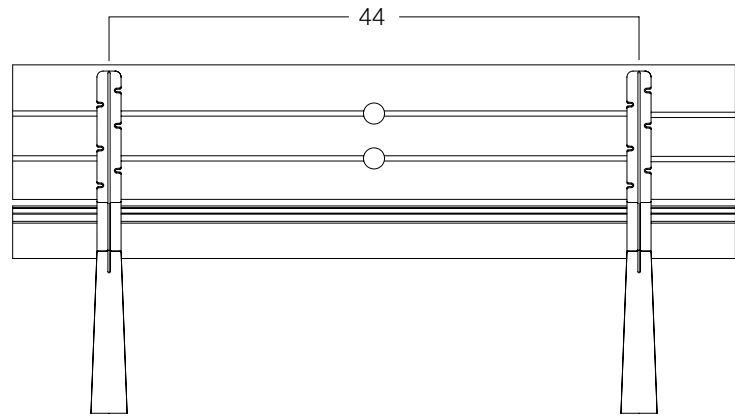
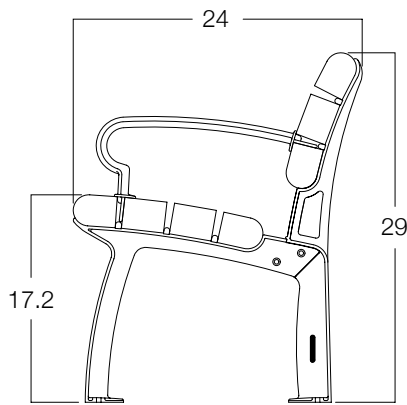
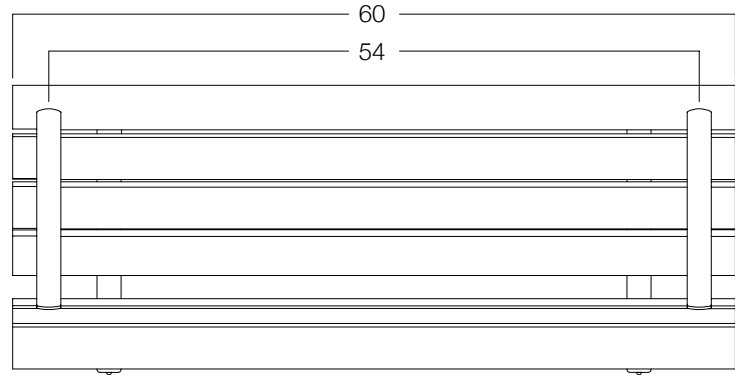


CitySeries | Seat



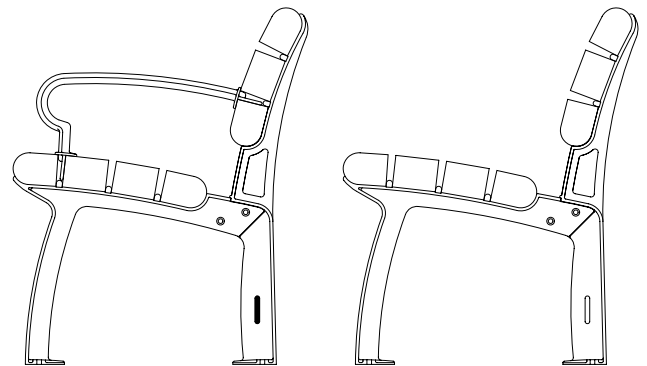
### Specification Options

- |   |                                   |
|---|-----------------------------------|
| Powder Coat Colors                      | <input type="checkbox"/> Brown    |
| <input type="checkbox"/> Standard Gloss | <input type="checkbox"/> Green    |
| <input type="checkbox"/> Standard Matte | <input type="checkbox"/> Charcoal |
| <input type="checkbox"/> Custom         | <input type="checkbox"/> Black    |
|   | <input type="checkbox"/> Red      |

- |                                 |                                    |
|---------------------------------|------------------------------------|
| HDPE Colors                     | <input type="checkbox"/> Gray      |
| <input type="checkbox"/> Custom | <input type="checkbox"/> Cedar     |
|                                 | <input type="checkbox"/> Weathered |

- |                                 |   |
|---------------------------------|---|
| Length Options                  | <input type="checkbox"/> 60" - CIT.SE.060.SM.ARMS |
| <input type="checkbox"/> Custom | <input type="checkbox"/> 72" - CIT.SE.072.SM.ARMS |
| (3 supports on 72" & 96" seats) | <input type="checkbox"/> 96" - CIT.SE.096.SM.ARMS |
|                                 | <input type="checkbox"/> 60" - CIT.SE.060.SM      |
|                                 | <input type="checkbox"/> 72" - CIT.SE.072.SM      |
|                                 | <input type="checkbox"/> 96" - CIT.SE.096.SM      |

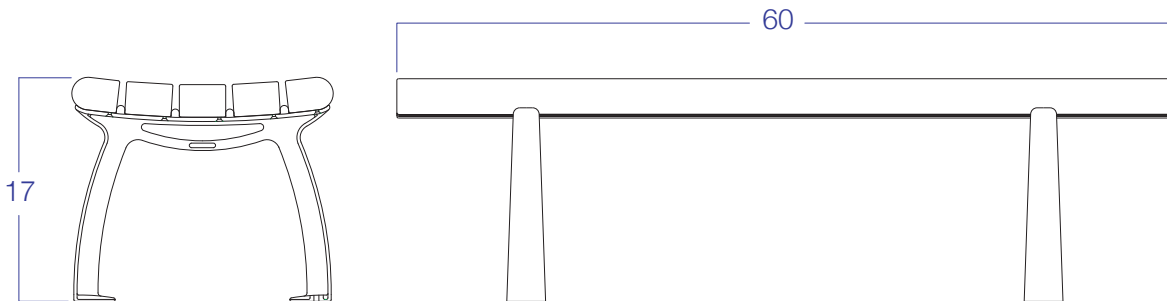
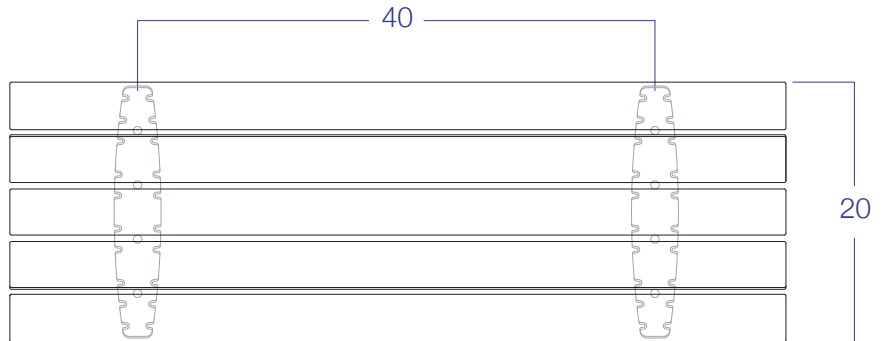
- |                             |   |
|-----------------------------|---|
| Independent Arms (Specify)  | <input type="checkbox"/> 9997 - <input type="checkbox"/> 1 <input type="checkbox"/> 2 <input type="checkbox"/> 3 <input type="checkbox"/> 4 |
| Surface Installation (Only) | <input type="checkbox"/> 9300-004-INST-Kit  |



March 2012 v12.3 Fahnstrom/White Design

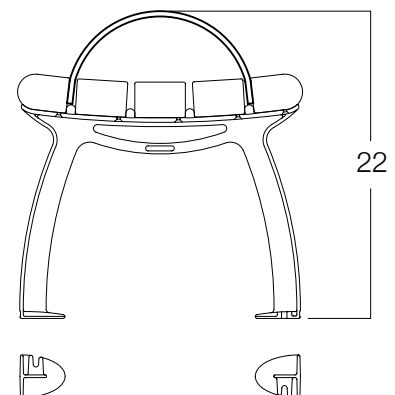


CitySeries | Bench



### Specification Options

- |  |  |
|--|--|
| Powder Coat Colors                             | <input type="checkbox"/> Brown               |
| <input type="checkbox"/> Standard Gloss        | <input type="checkbox"/> Green               |
| <input type="checkbox"/> Standard Matte        | <input type="checkbox"/> Charcoal            |
| <input type="checkbox"/> Custom                | <input type="checkbox"/> Black               |
|  | <input type="checkbox"/> Red                 |
| <hr/>  |  |
| HDPE Colors                                    |  |
| <input type="checkbox"/> Custom                | <input type="checkbox"/> Gray                |
|  | <input type="checkbox"/> Cedar               |
|  | <input type="checkbox"/> Weathered           |
| <hr/>  |  |
| Length Options                                 | <input type="checkbox"/> 60" - CIT.BE.060.SM |
| <input type="checkbox"/> Custom Length/Specify | <input type="checkbox"/> 96" - CIT.BE.096.SM |
|  | <input type="checkbox"/> - Sleep Stopper     |
| <hr/>  |  |
| Surface Installation Only                      | <input type="checkbox"/> 9300-004-INST-Kit   |



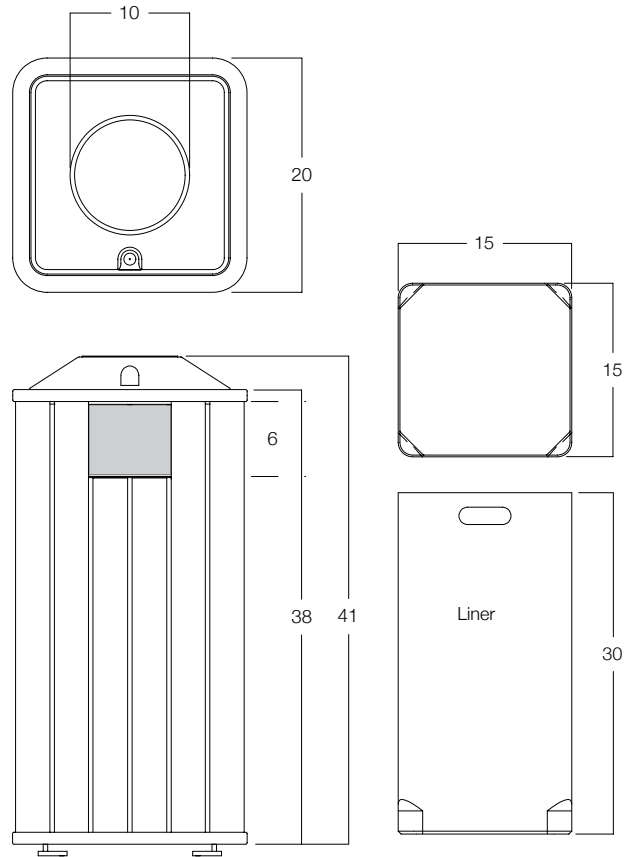
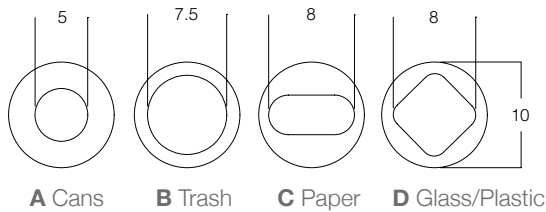
March 2012 v12.3 Fahnstrom/White Design



## CitySeries | Recycle Bin

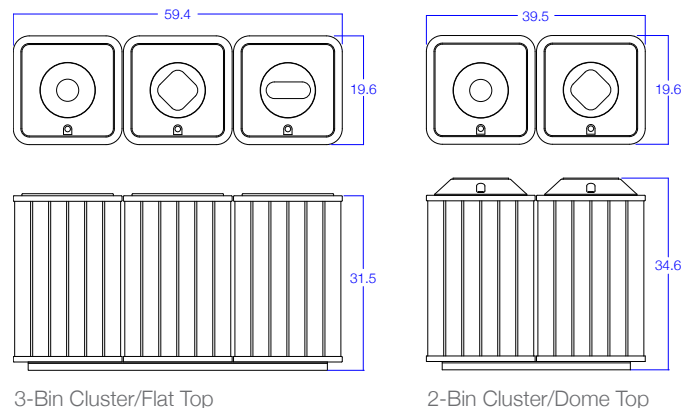


### Dome Top Insert Options



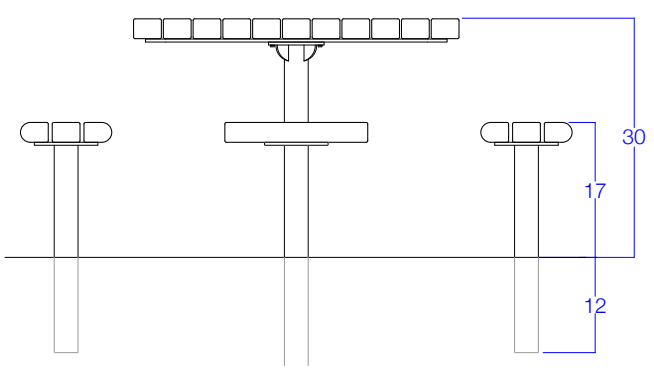
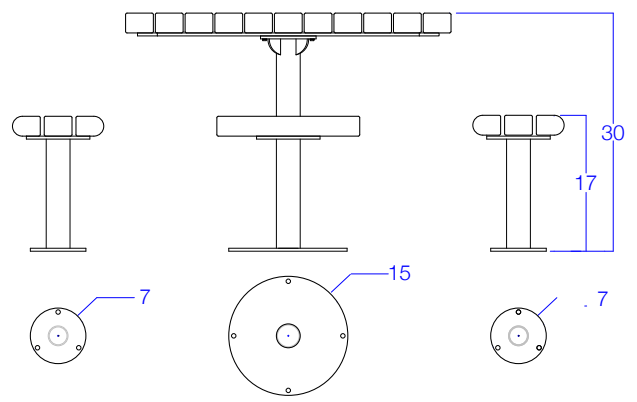
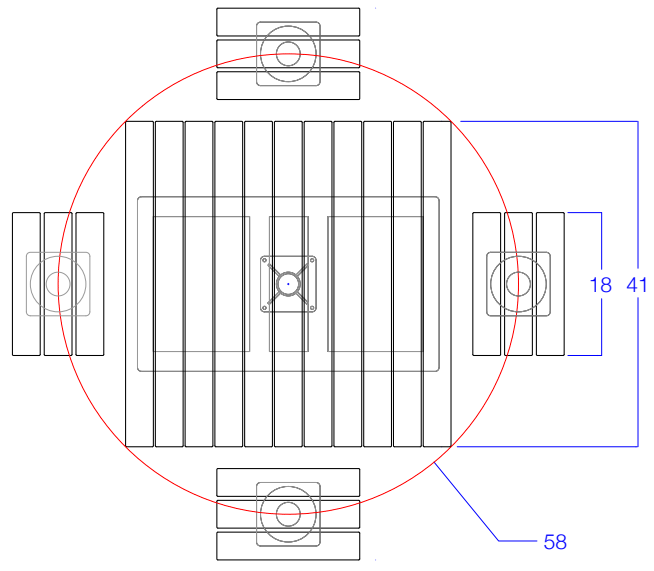
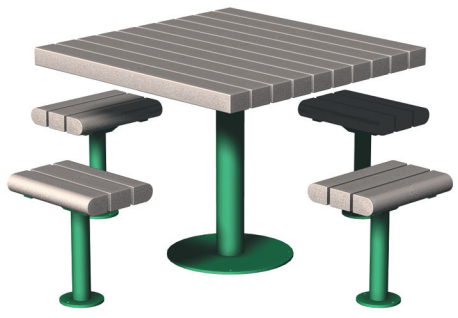
### Specification Options

Powder Coat Colors	<input type="checkbox"/> Brown
<input type="checkbox"/> Standard Gloss	<input type="checkbox"/> Green
<input type="checkbox"/> Standard Matte	<input type="checkbox"/> Charcoal
<input type="checkbox"/> Custom	<input type="checkbox"/> Black
	<input type="checkbox"/> Red
<hr/>	
HDPE Colors	<input type="checkbox"/> Gray
<input type="checkbox"/> Custom	<input type="checkbox"/> Cedar
	<input type="checkbox"/> Weathered
<hr/>	
Enclosure (Liner Included)	<input type="checkbox"/> CIT.WR.033.CA (Casters)
	<input type="checkbox"/> CIT.WR.033.GL (Glides)
	<input type="checkbox"/> CIT.WR.033.SM (Mounted)
<hr/>	
Top Covers	<input type="checkbox"/> Aluminum Dome Top
	<input type="checkbox"/> HDPE Flat Insert Top
<hr/>	
Dome Top Insert Option	<input type="checkbox"/> A Cans
	<input type="checkbox"/> B Trash
	<input type="checkbox"/> C Paper
	<input type="checkbox"/> D Glass/Plastic
<hr/>	
Surface Mount Installation	<input type="checkbox"/> 9300-004-INST-Kit
<hr/>	
Recycling Cluster	<input type="checkbox"/> 2-Bin Cluster
(Ask for Details)	<input type="checkbox"/> 3-Bin Cluster



March 2012 v12.3 Fahmstrom/White Design

CitySeries | Plaza Table



**Specification Options**

Powder Coat Colors	<input type="checkbox"/> Brown
<input type="checkbox"/> Standard Gloss	<input type="checkbox"/> Green
<input type="checkbox"/> Standard Matte	<input type="checkbox"/> Charcoal
<input type="checkbox"/> Custom	<input type="checkbox"/> Black
	<input type="checkbox"/> Red
<hr/>	
HDPE Colors	<input type="checkbox"/> Gray
<input type="checkbox"/> Custom	<input type="checkbox"/> Cedar
	<input type="checkbox"/> Weathered
<hr/>	
Top Size 41"x41"	<input type="checkbox"/> CIT.PZ.041.EM
	<input type="checkbox"/> CIT.PZ.041.SM
	<input type="checkbox"/> CIT.PZ.041.EM.ADA
	<input type="checkbox"/> CIT.PZ.041.SM.ADA
<hr/>	
Surface Installation	<input type="checkbox"/> 9300-004-INST-Kit
	<input type="checkbox"/> Embedded Installation

March 2012 v12.3 Fahnstrom/White Design